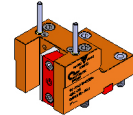


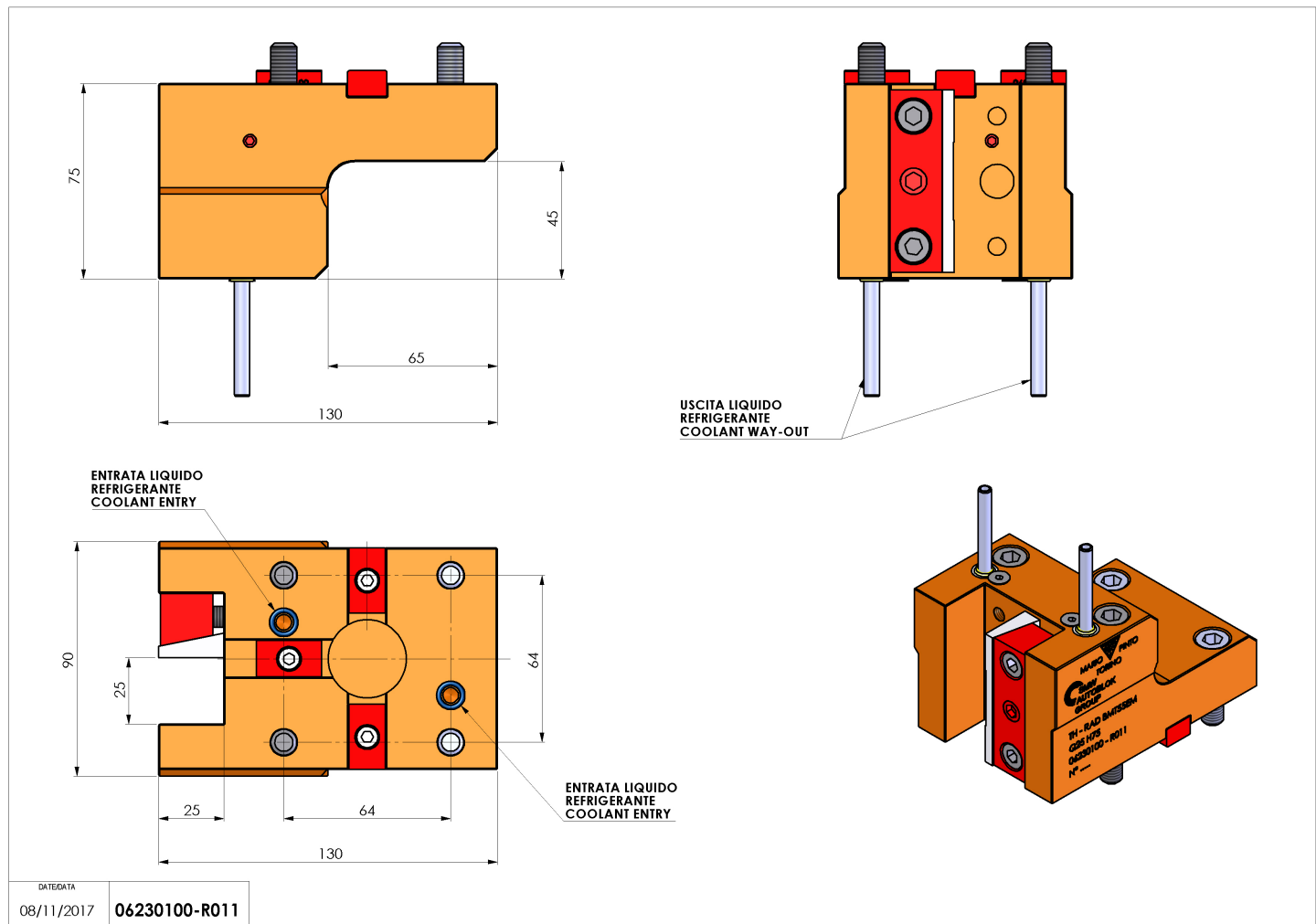
# 06230100 - TH-RAD BMT55EM Q25 H75

<b>Tipo</b>	TH-RAD Portautensili statico radiale
<b>Attacco</b>	BMT 55 EM
<b>Uscita utensile</b>	TH radiale 25x25
<b>Raffreddamento</b>	Refrigerazione esterna
<b>H [mm]</b>	80



<b>Accessori</b>	N.D.
<b>Note</b>	N.D.
<b>Note per il montaggio</b>	N.D.

Verificare sempre gli ingombri del portautensile in torretta



The technical drawings include:

- Top View:** Shows a rectangular block with a total width of 130 mm and a height of 75 mm. A central section has a width of 65 mm and a depth of 45 mm.
- Front View:** Shows the tool holder with two coolant ports labeled "USCITA LIQUIDO REFRIGERANTE COOLANT WAY-OUT".
- Bottom View:** Shows the tool holder with two coolant ports labeled "ENTRATA LIQUIDO REFRIGERANTE COOLANT ENTRY". Dimensions include a total width of 130 mm, a height of 90 mm, and a central section width of 64 mm.
- 3D Perspective View:** Shows the tool holder with the text "MARIO PINTO SMW AUTOBLOK TH - RAD BMT55EM Q25 H75 06230100-R011" on its side.

Salvo modifiche tecniche

DATE/DATE	08/11/2017
	06230100-R011