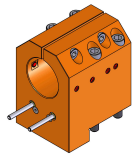
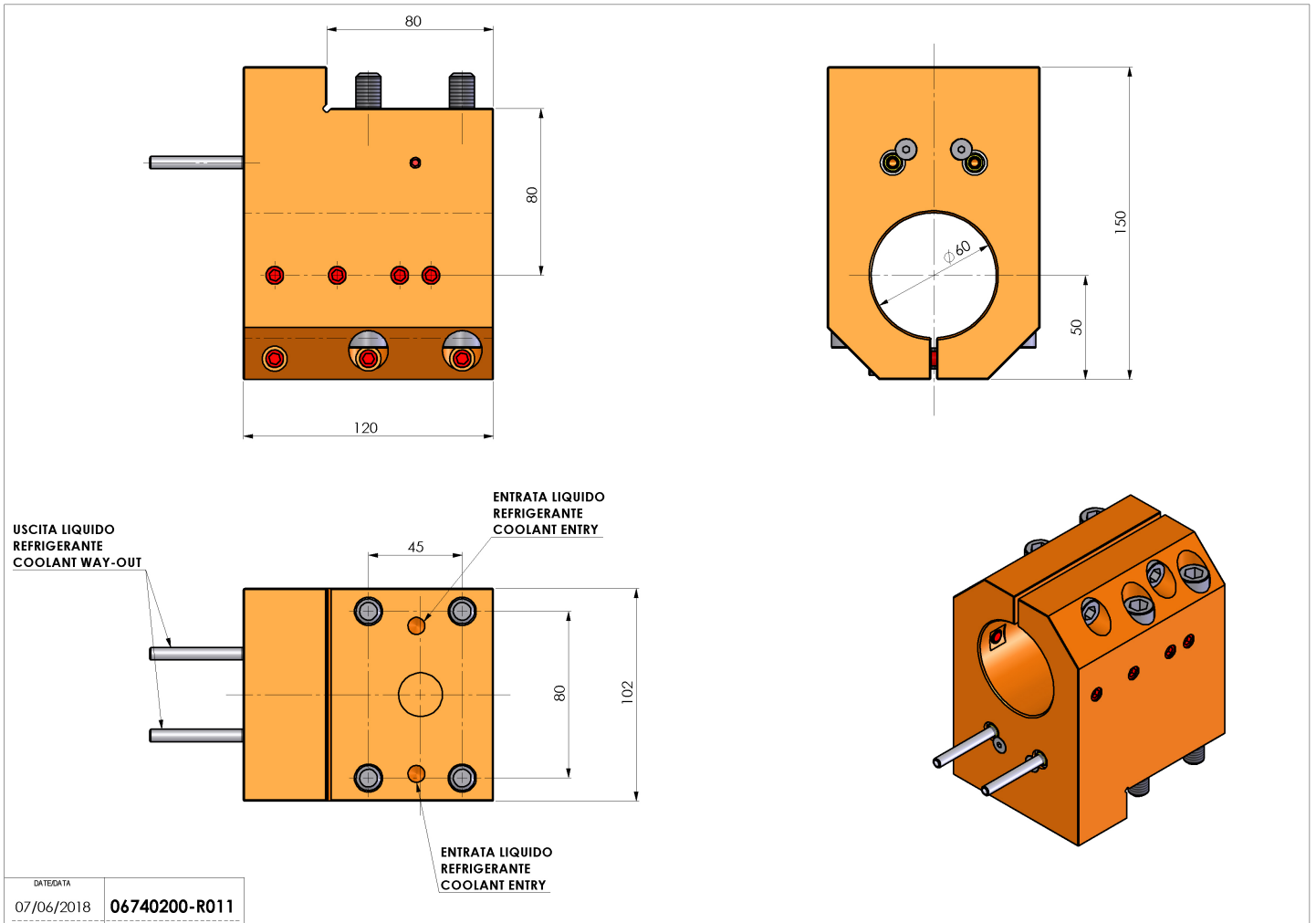


06740200 - TH-BRB D20 D60 H80 TAGL

Type	TH SPECIALE Tool holder customized
Mounting	CYLINDRICAL SHANK 60
Tool output	Boring Bar Holder 60
Coolant	External coolant
H [mm]	80
	
Accessories	N.A.
Notes	N.A.
Mounting tips	N.A.

Always check live tool dimensions on the turret



DATE DATA
07/06/2018 **06740200-R011**