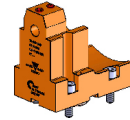


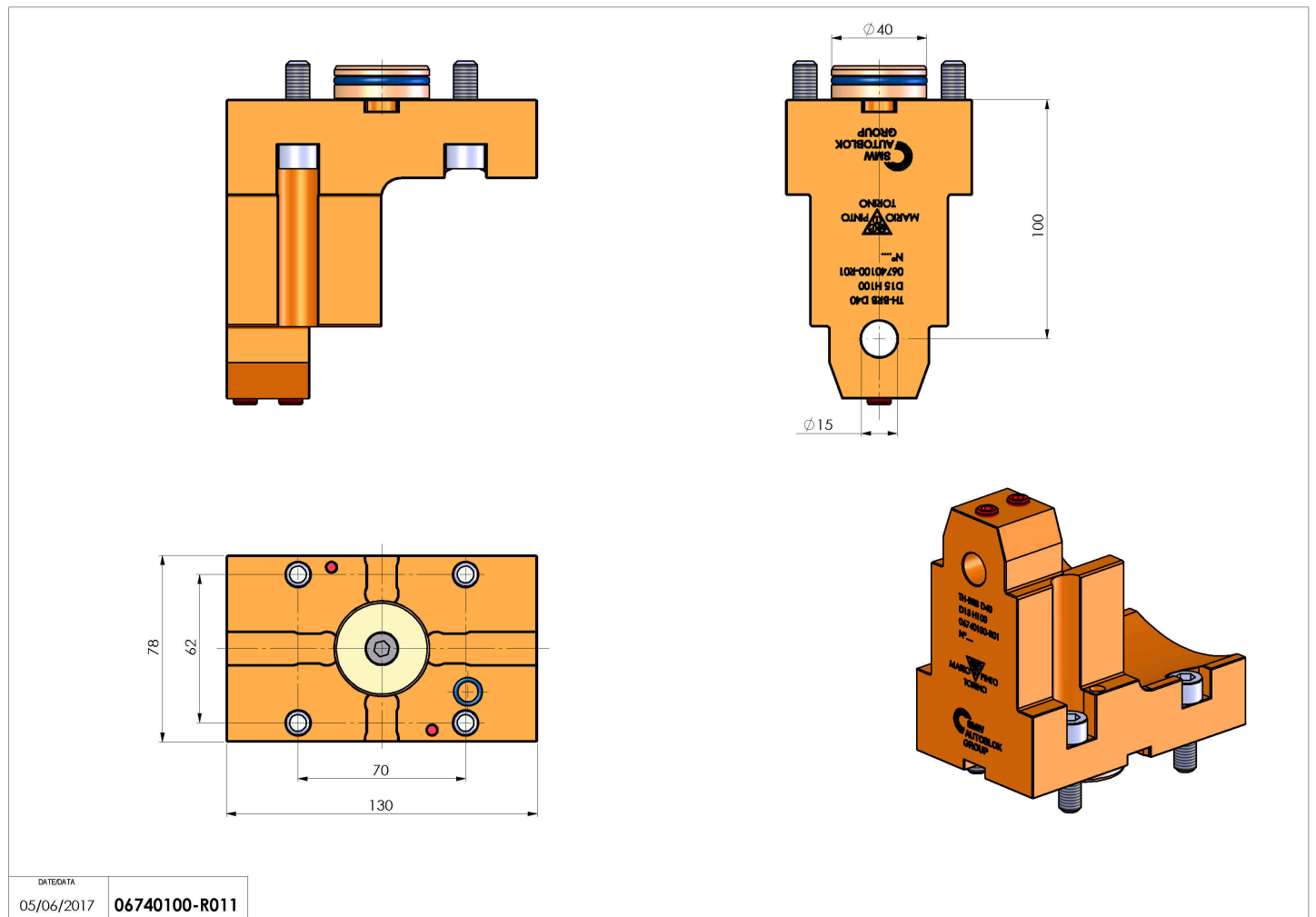
06740100 - TH-BRB D40 D15 H100 MS

Type	TH SPECIALE Tool holder customized
Mounting	CYLINDRICAL SHANK 40
Tool output	Boring bar holder 15
Coolant	N.A.
H [mm]	100



Accessories	N.A.
Notes	N.A.
Mounting tips	N.A.

Always check live tool dimensions on the turret



DATE/DATE	05/06/2017
06740100-R011	

Subject to technical changes