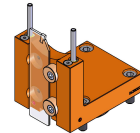


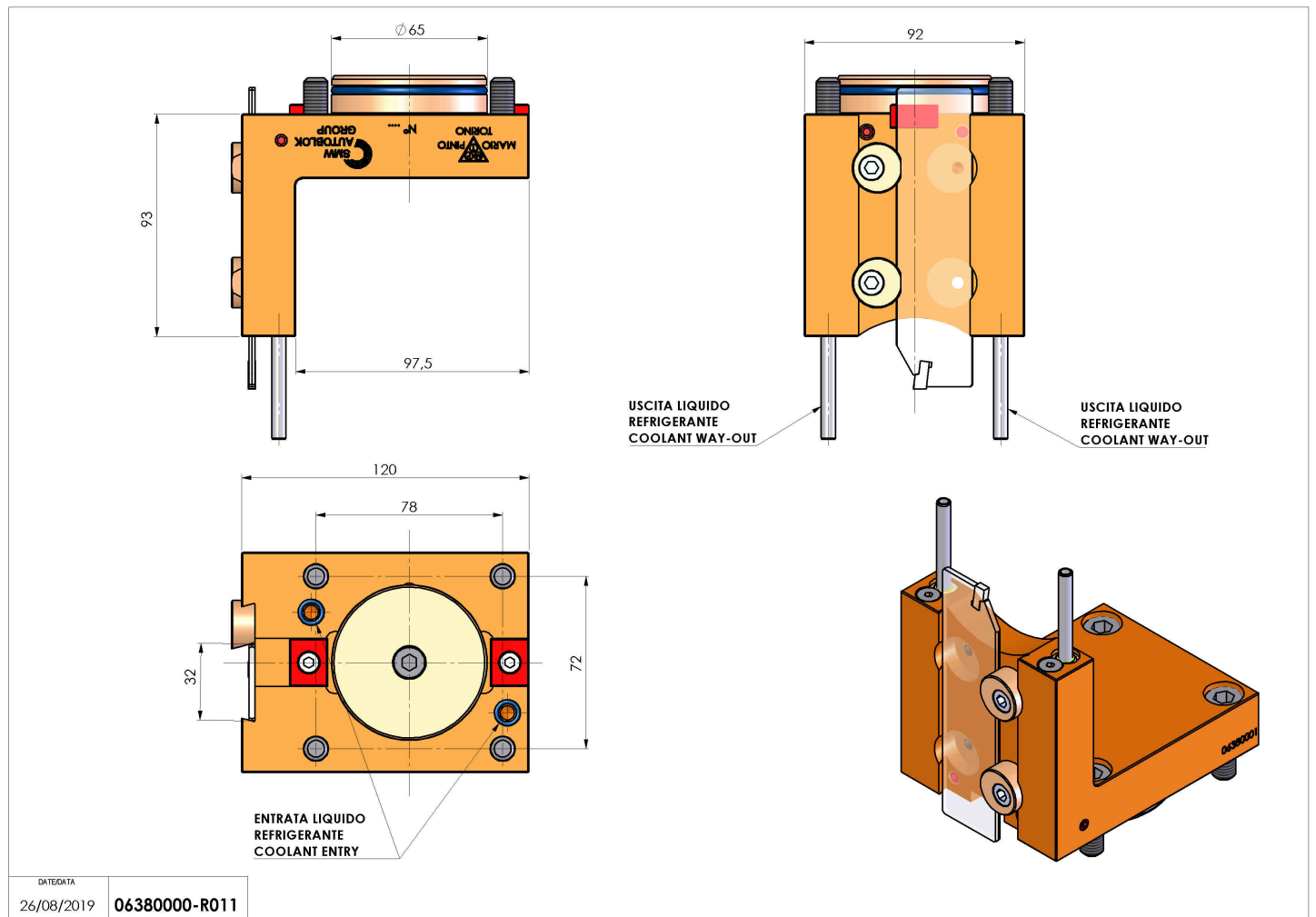
06380000 - TH-CUT D65 SH32X3-5 TP H93

Type	TH-CUT Cutting holder
Mounting	CYLINDRICAL SHANK 65
Tool output	Cut Off Holder 32
Coolant	External coolant
H [mm]	93



Accessories	N.A.
Notes	N.A.
Mounting tips	N.A.

Always check live tool dimensions on the turret



Subject to technical changes