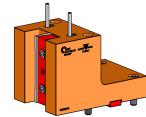


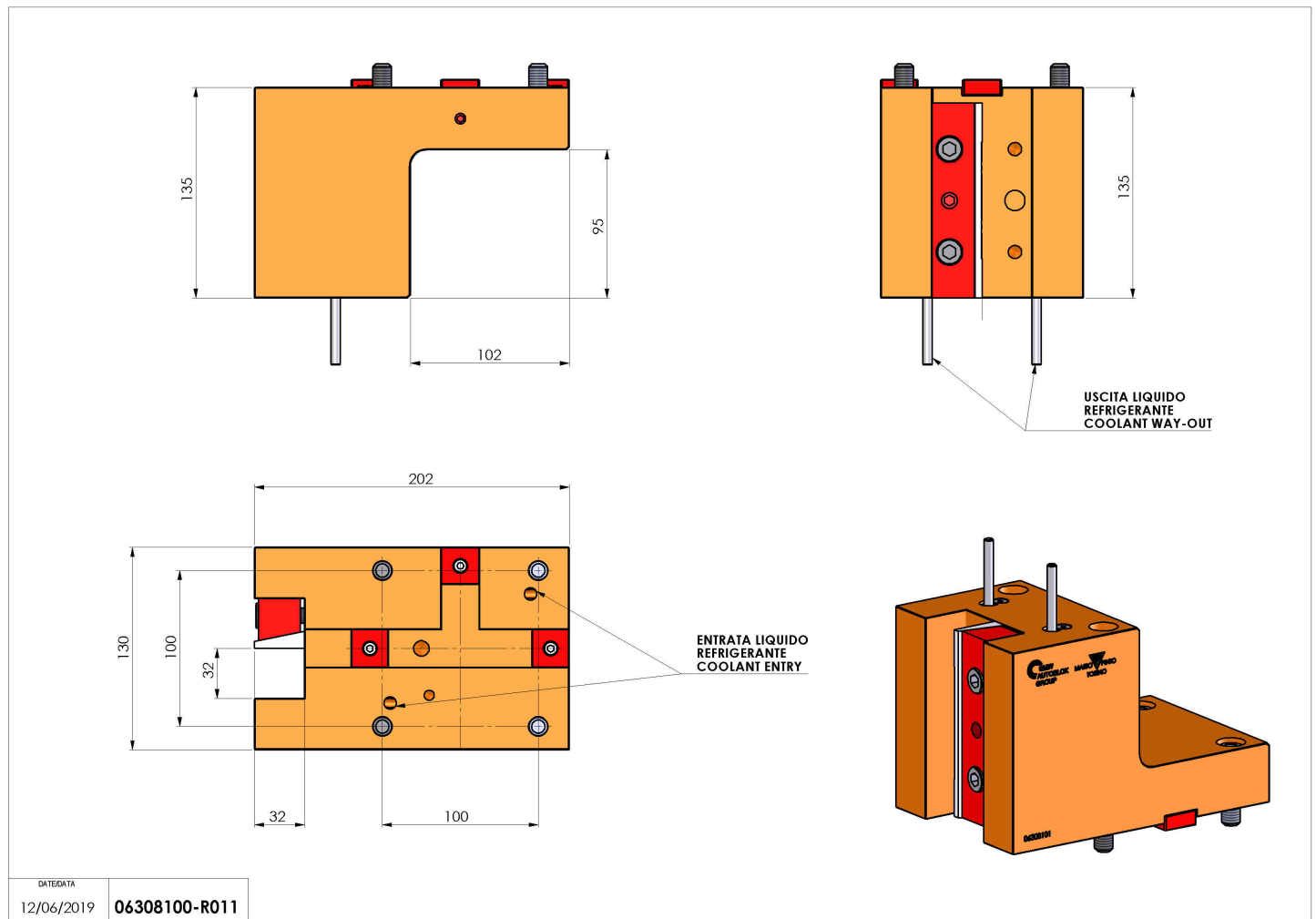
## 06308100 - TH-RAD BMT85 Q32 H135

Type	TH-RAD Radial Tool holder
Mounting	BMT 85
Tool output	Radial Square Tool Holder 32x32
Coolant	External coolant
H [mm]	135



Accessories	N.A.
Notes	N.A.
Mounting tips	N.A.

Always check live tool dimensions on the turret



DATE/DATE	12/06/2019	06308100-R011
-----------	------------	---------------

Subject to technical changes