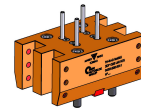


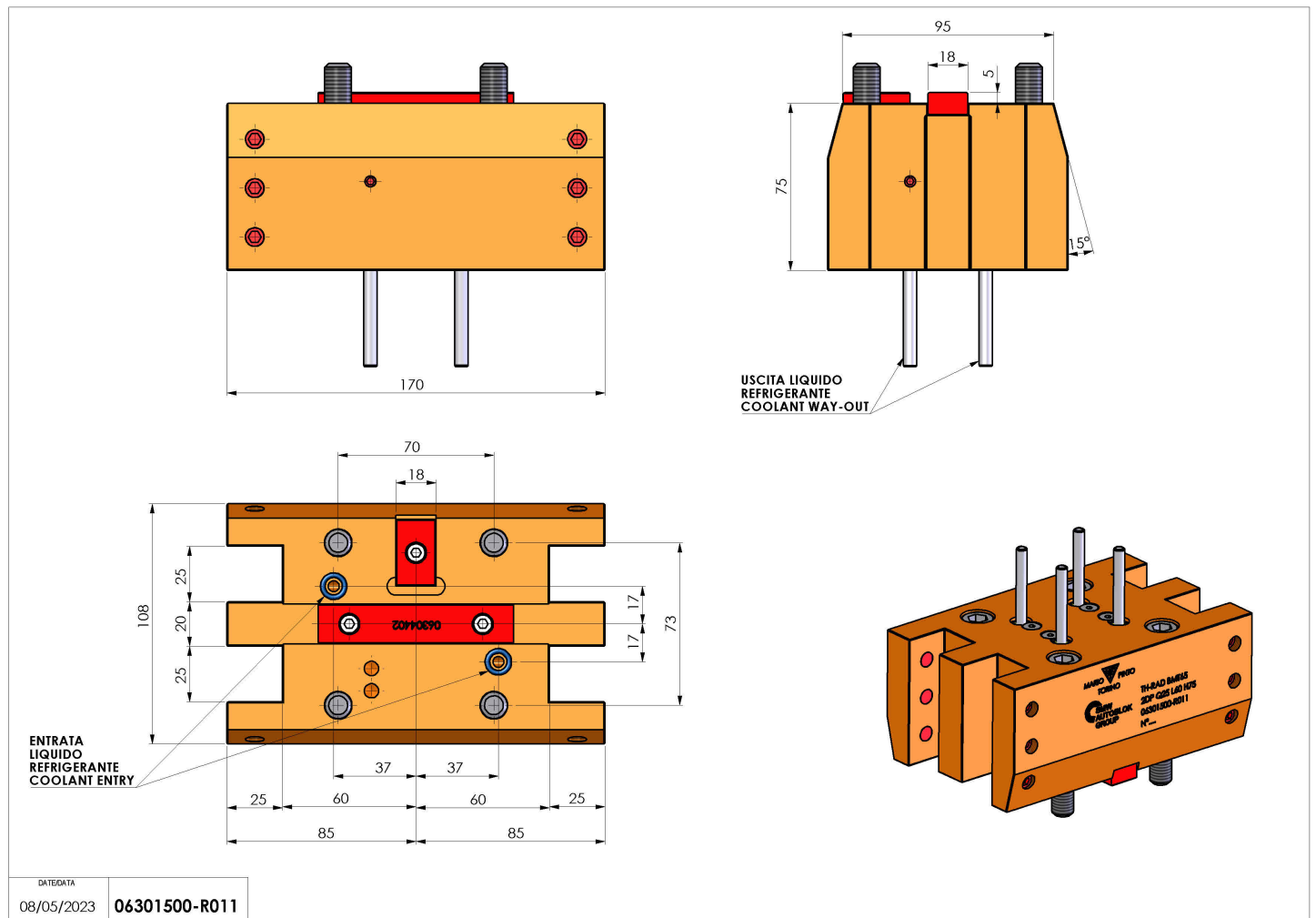
06301500 - TH-RAD BMT65 2DP Q25 L60 H75

| | |
|-------------|---------------------------------|
| Type | TH-RAD Radial Tool holder |
| Mounting | BMT 65 |
| Tool output | Radial Square Tool Holder 25x25 |
| Coolant | External coolant |
| H [mm] | 75 |



| | |
|---------------|------|
| Accessories | N.A. |
| Notes | N.A. |
| Mounting tips | N.A. |

Always check live tool dimensions on the turret



| | |
|---------------|------------|
| DATE/DATE | 08/05/2023 |
| 06301500-R011 | |

Subject to technical changes