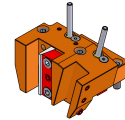


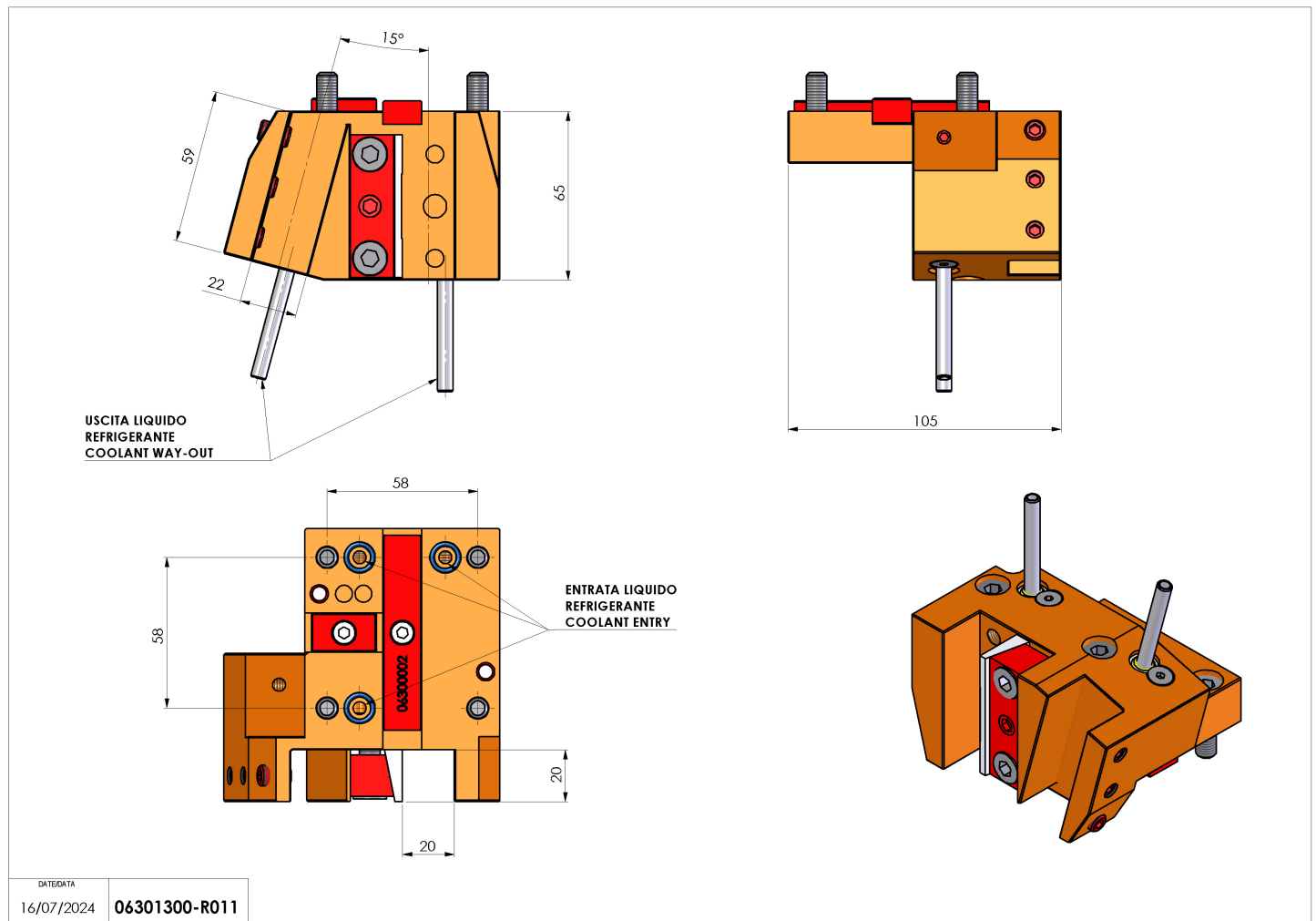
06301300 - TH-RAD BMT45 Q20 DP15 H65

Type	TH-RAD Radial Tool holder
Mounting	BMT 45
Tool output	Radial Square Tool Holder 20x20
Coolant	External coolant
H [mm]	65



Accessories	N.A.
Notes	N.A.
Mounting tips	N.A.

Always check live tool dimensions on the turret



Subject to technical changes