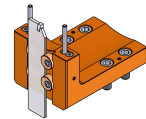


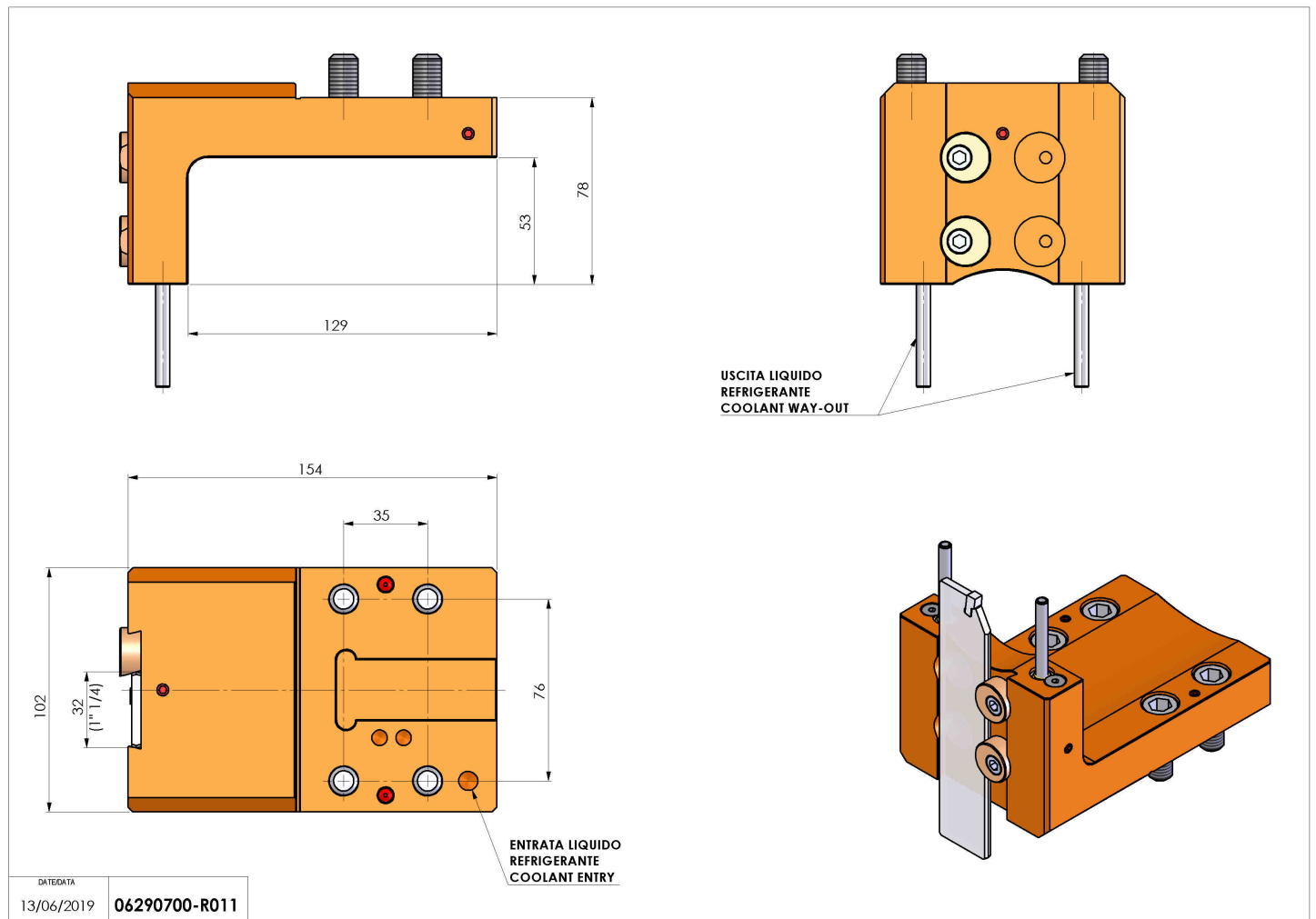
06290700 - TH-CUT UT1-1/4" (32) PL H78

Type	TH-CUT Cutting holder
Mounting	CYLINDRICAL SHANK 32
Tool output	Cut Off Holder 1-1/4"(32)
Coolant	External coolant
H [mm]	78



Accessories	N.A.
Notes	N.A.
Mounting tips	N.A.

Always check live tool dimensions on the turret



DATE/GATE	06290700-R011
-----------	---------------

Subject to technical changes