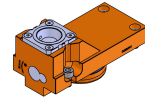


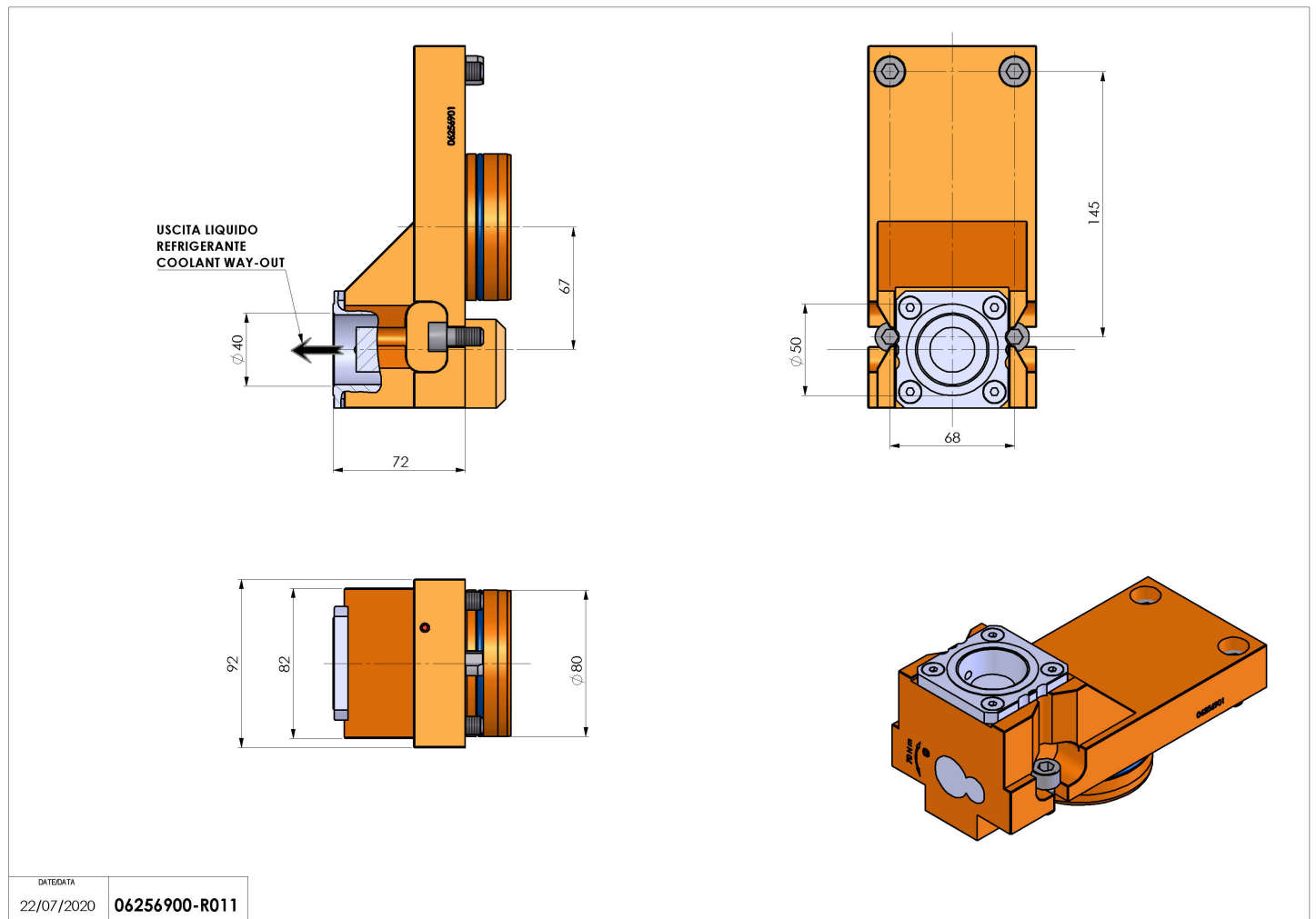
# 06256900 - TH-RAD D80 C50 RF H70

Type	TH-RAD Radial Tool holder
Mounting	CYLINDRICAL SHANK 80
Tool output	Polygonal shank C50 ISO 26623-1
Coolant	Internal coolant
H [mm]	70



Accessories	N.A.
Notes	N.A.
Mounting tips	N.A.

Always check live tool dimensions on the turret



DATE/DATE	06256900-R011
22/07/2020	

Subject to technical changes