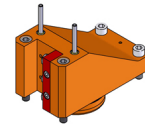


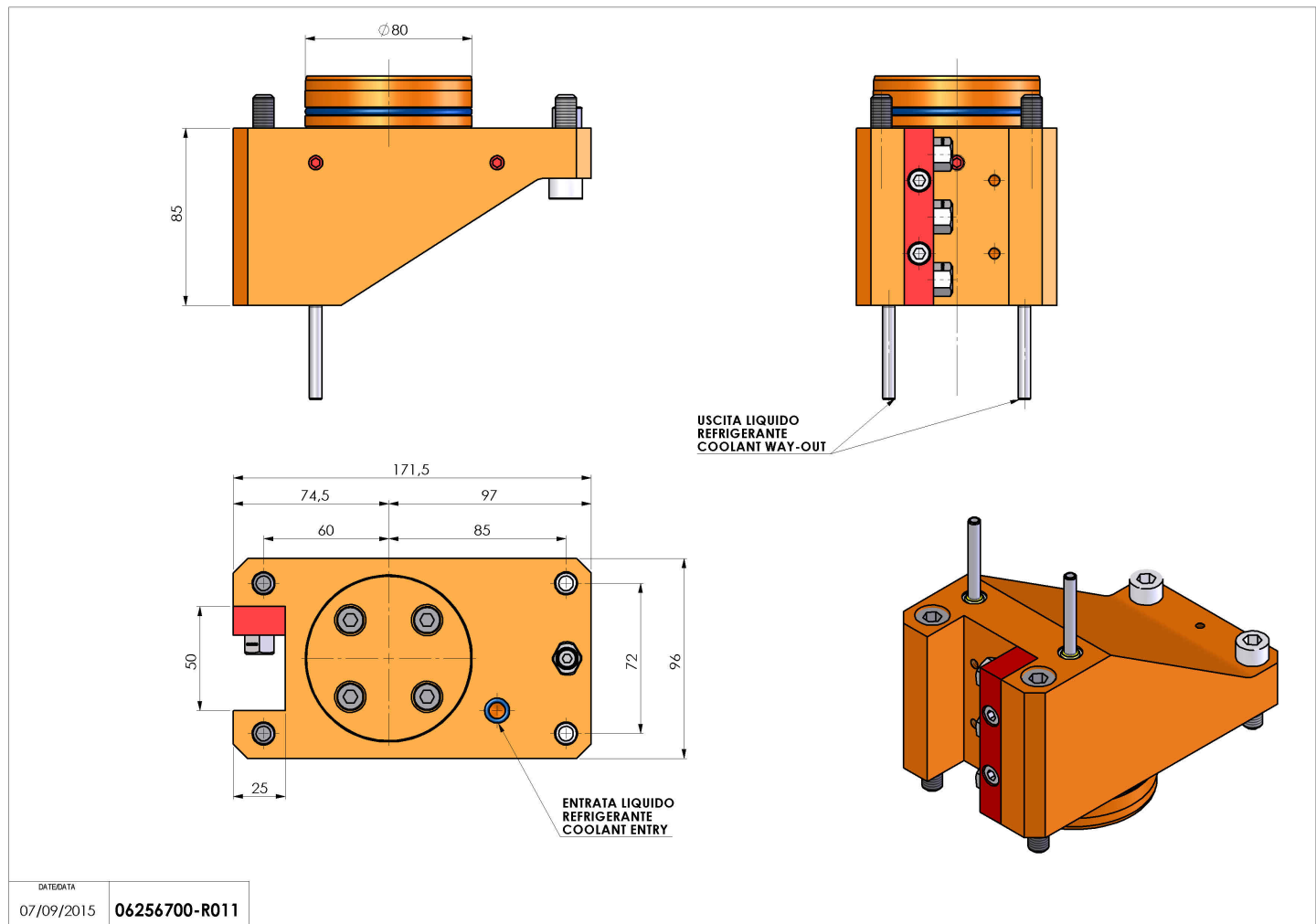
# 06256700 - TH-RAD D80 H85 DX-SX

|                    |                                 |
|--------------------|---------------------------------|
| <b>Type</b>        | TH-RAD<br>Radial Tool holder    |
| <b>Mounting</b>    | CYLINDRICAL SHANK 80            |
| <b>Tool output</b> | Radial Square Tool Holder 25x25 |
| <b>Coolant</b>     | External coolant                |
| <b>H [mm]</b>      | 85                              |



|                      |      |
|----------------------|------|
| <b>Accessories</b>   | N.A. |
| <b>Notes</b>         | N.A. |
| <b>Mounting tips</b> | N.A. |

Always check live tool dimensions on the turret



|           |            |               |
|-----------|------------|---------------|
| DATE/DATE | 07/09/2015 | 06256700-R011 |
|-----------|------------|---------------|

Subject to technical changes