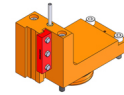


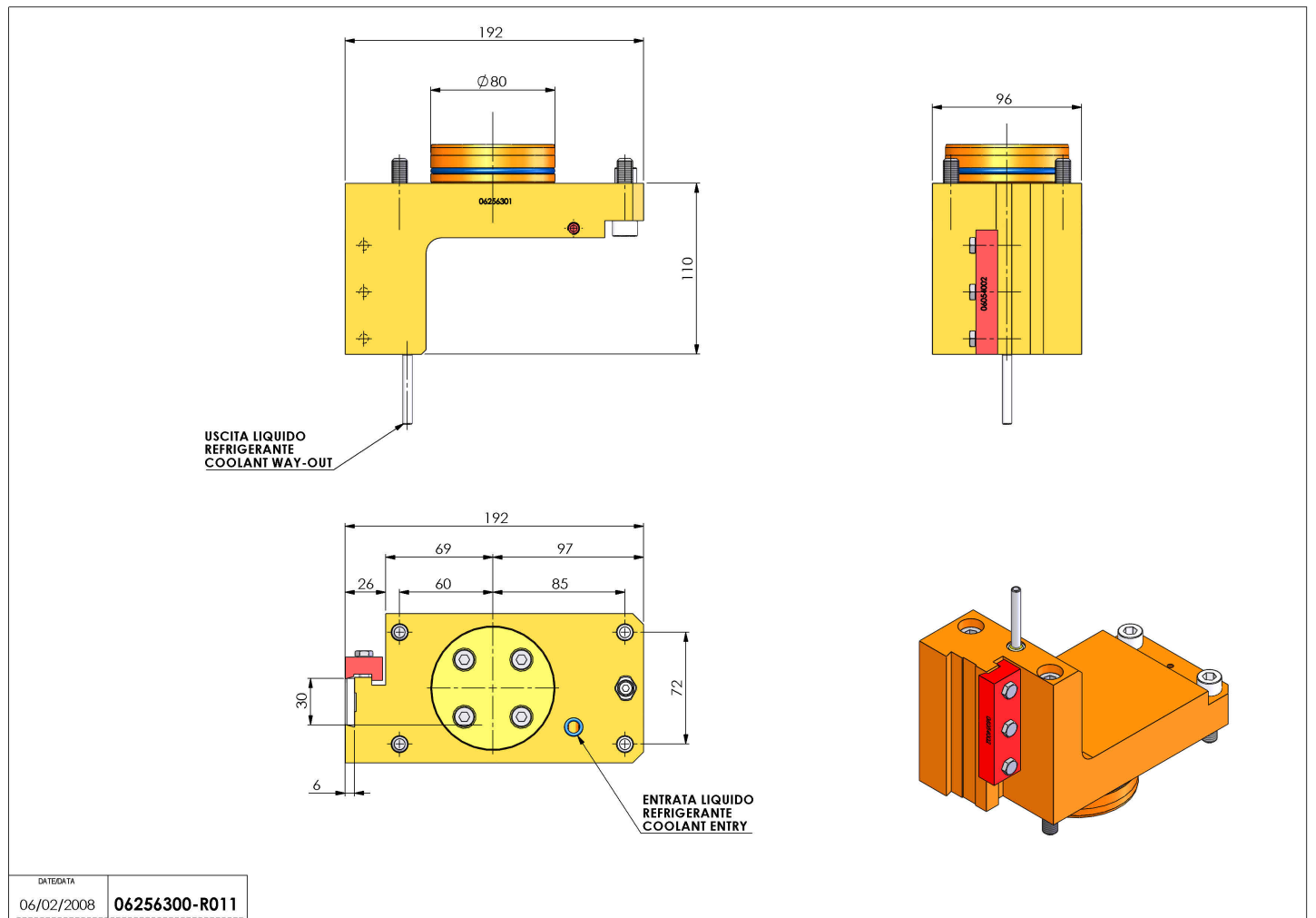
06256300 - TH-CUT D80 SP5 H110 MZ

Type	TH-CUT Cutting holder
Mounting	CYLINDRICAL SHANK 80
Tool output	Cut Off Holder 32
Coolant	External coolant
H [mm]	110



Accessories	N.A.
Notes	N.A.
Mounting tips	N.A.

Always check live tool dimensions on the turret



Subject to technical changes