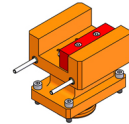


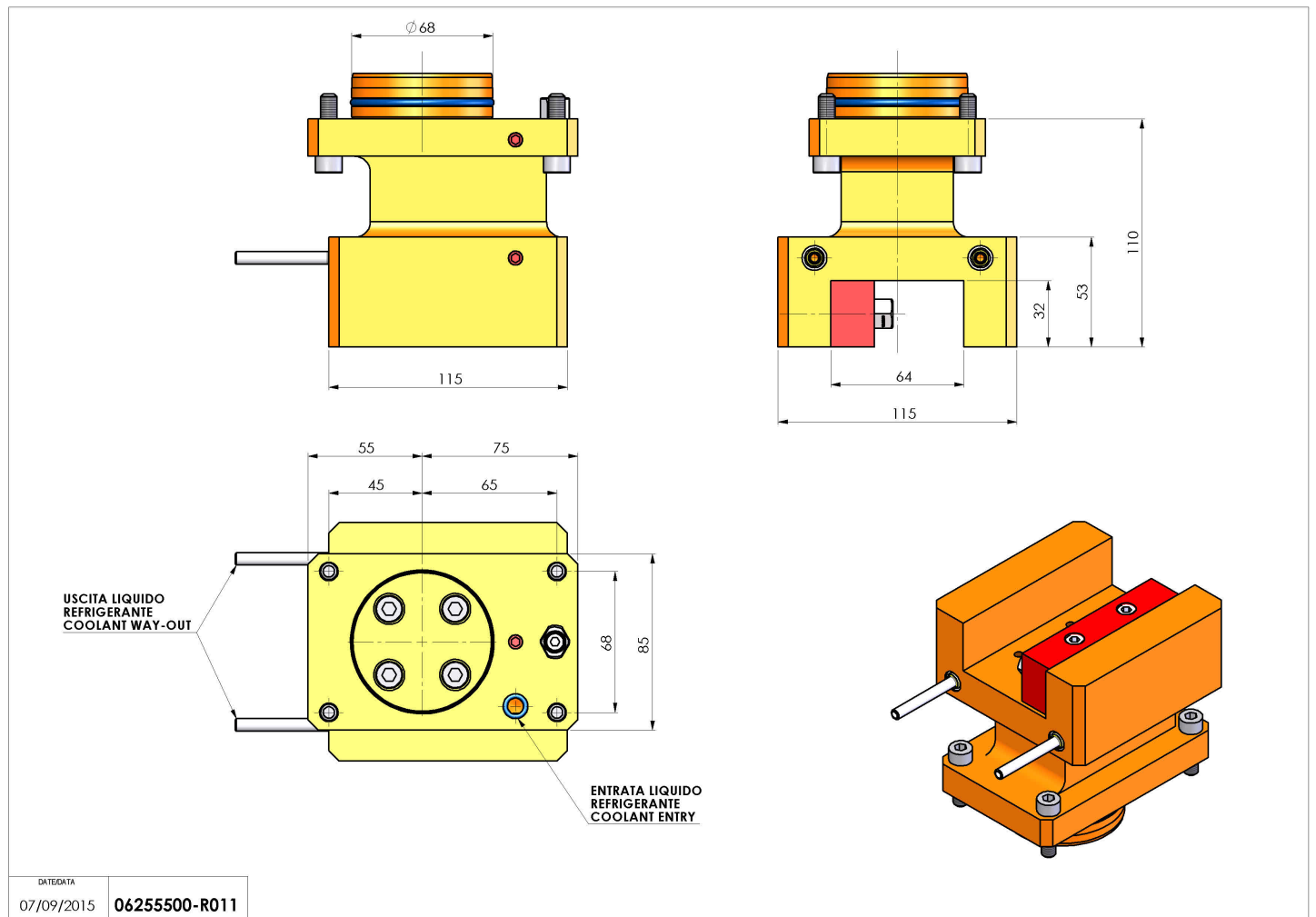
## 06255500 - TH-AX D68 H110 Q32 L-R MZ

<b>Type</b>	TH-AX Axial Tool holder
<b>Mounting</b>	CYLINDRICAL SHANK 68
<b>Tool output</b>	Axial Square Tool Holder 32x32
<b>Coolant</b>	External coolant
<b>H [mm]</b>	110



<b>Accessories</b>	N.A.
<b>Notes</b>	N.A.
<b>Mounting tips</b>	N.A.

Always check live tool dimensions on the turret



Subject to technical changes