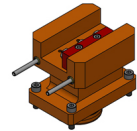
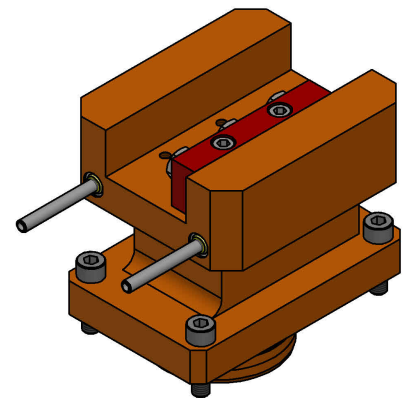
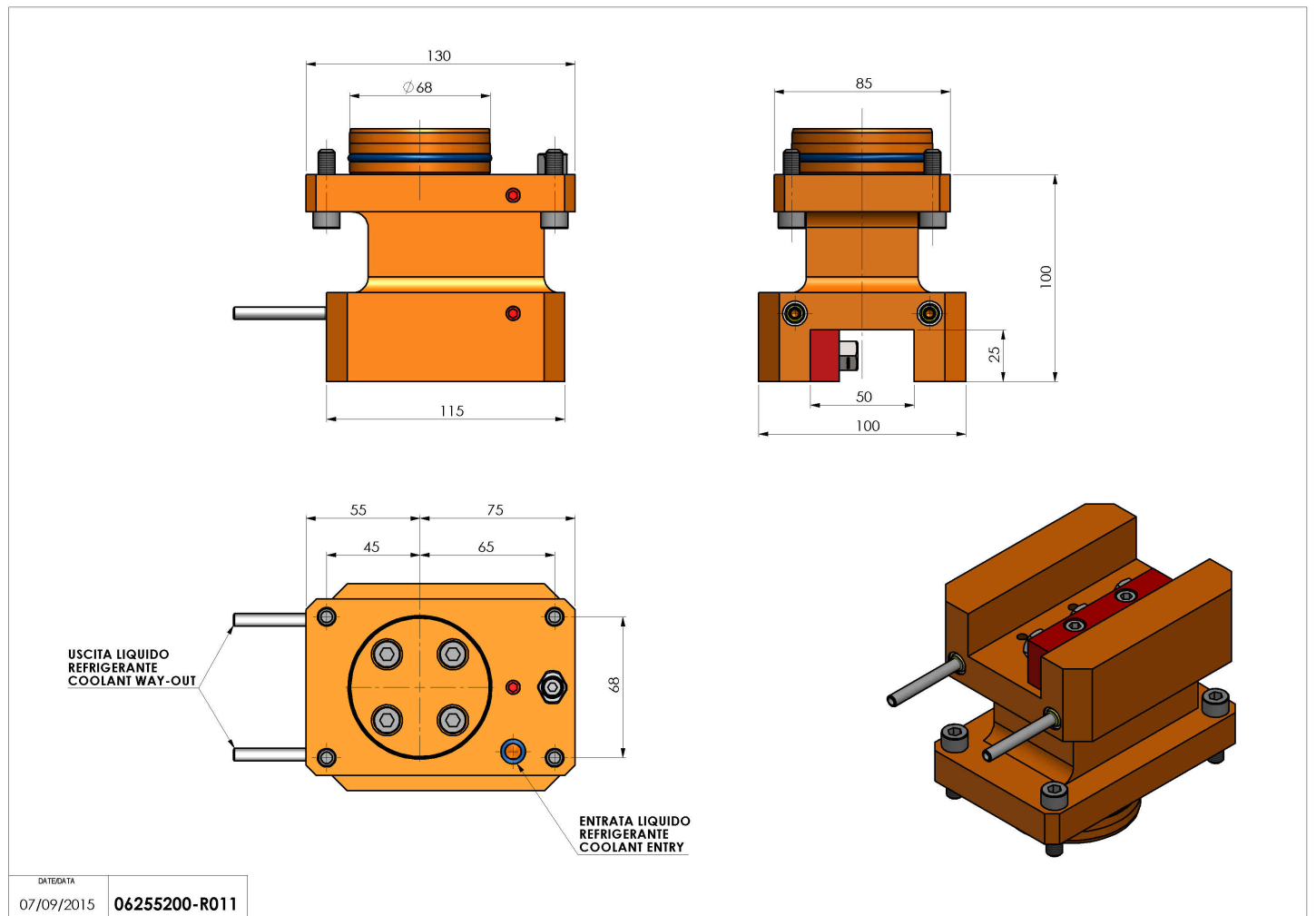


06255200 - TH-AX D68 H100 Q25 L115 MZ

Type	TH-AX Axial Tool holder
Mounting	CYLINDRICAL SHANK 68
Tool output	Axial Square Tool Holder 25x25
Coolant	External coolant
H [mm]	100
Accessories	N.A.
Notes	N.A.
Mounting tips	N.A.



Always check live tool dimensions on the turret



DATE/DATE	07/09/2015	06255200-R011
-----------	------------	---------------

Subject to technical changes