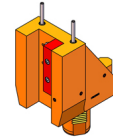


# 06253800 - TH-RAD VDI50H160UT32X32DX-SXMZ

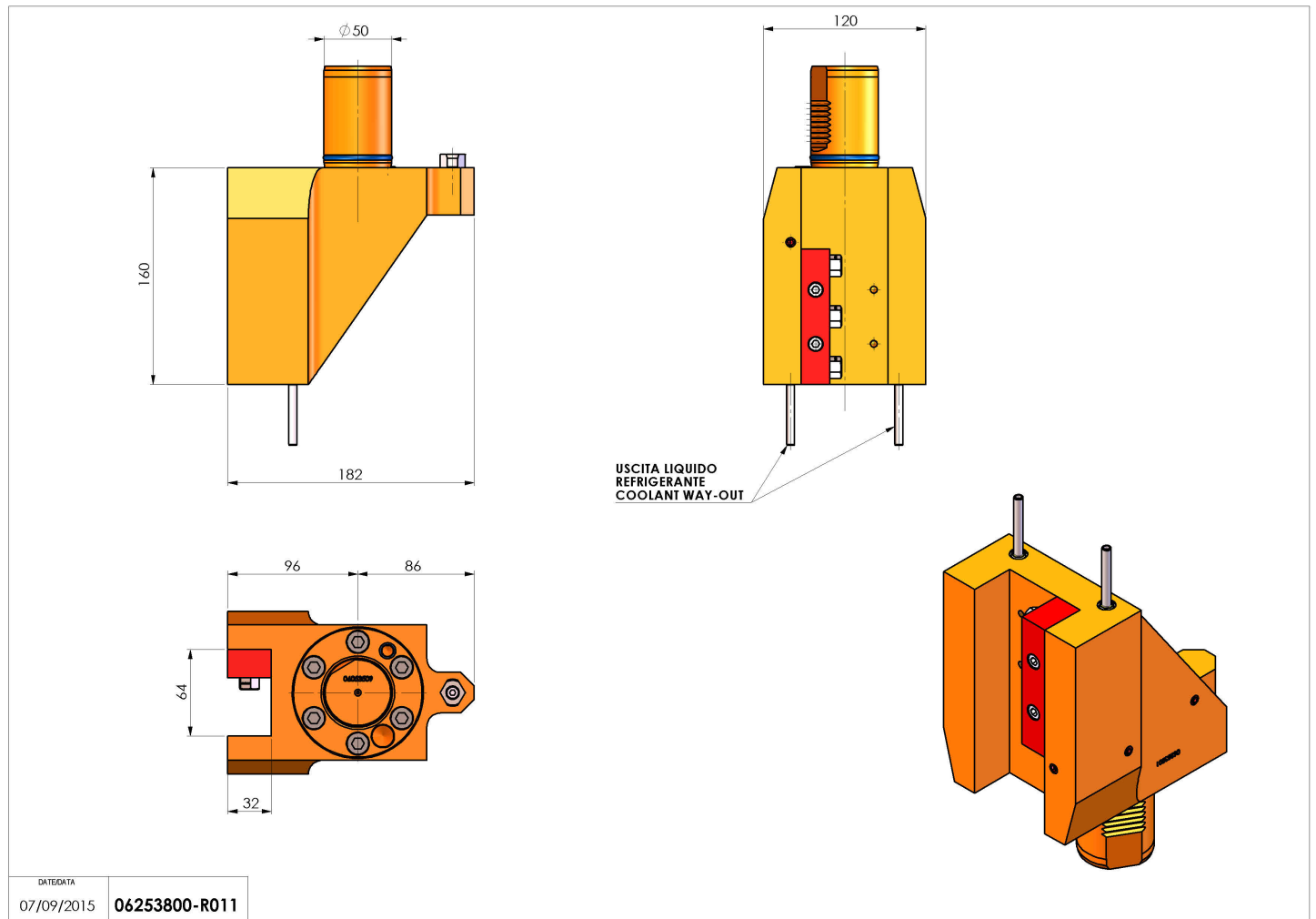
Type	TH-RAD Radial Tool holder
Mounting	VDI 50
Tool output	Radial Square Tool Holder 32x32
Coolant	External coolant
H [mm]	160



Accessories	N.A.
Notes	N.A.
Mounting tips	N.A.

**ATTENTION: CHECK THE ORIENTATION OF THE VDI TEETH**

Always check live tool dimensions on the turret



DATE/DATE	07/09/2015	06253800-R011
-----------	------------	---------------

Subject to technical changes