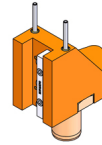


06250600 - TH-RAD VDI40 H110 L65 DX-SX MZ

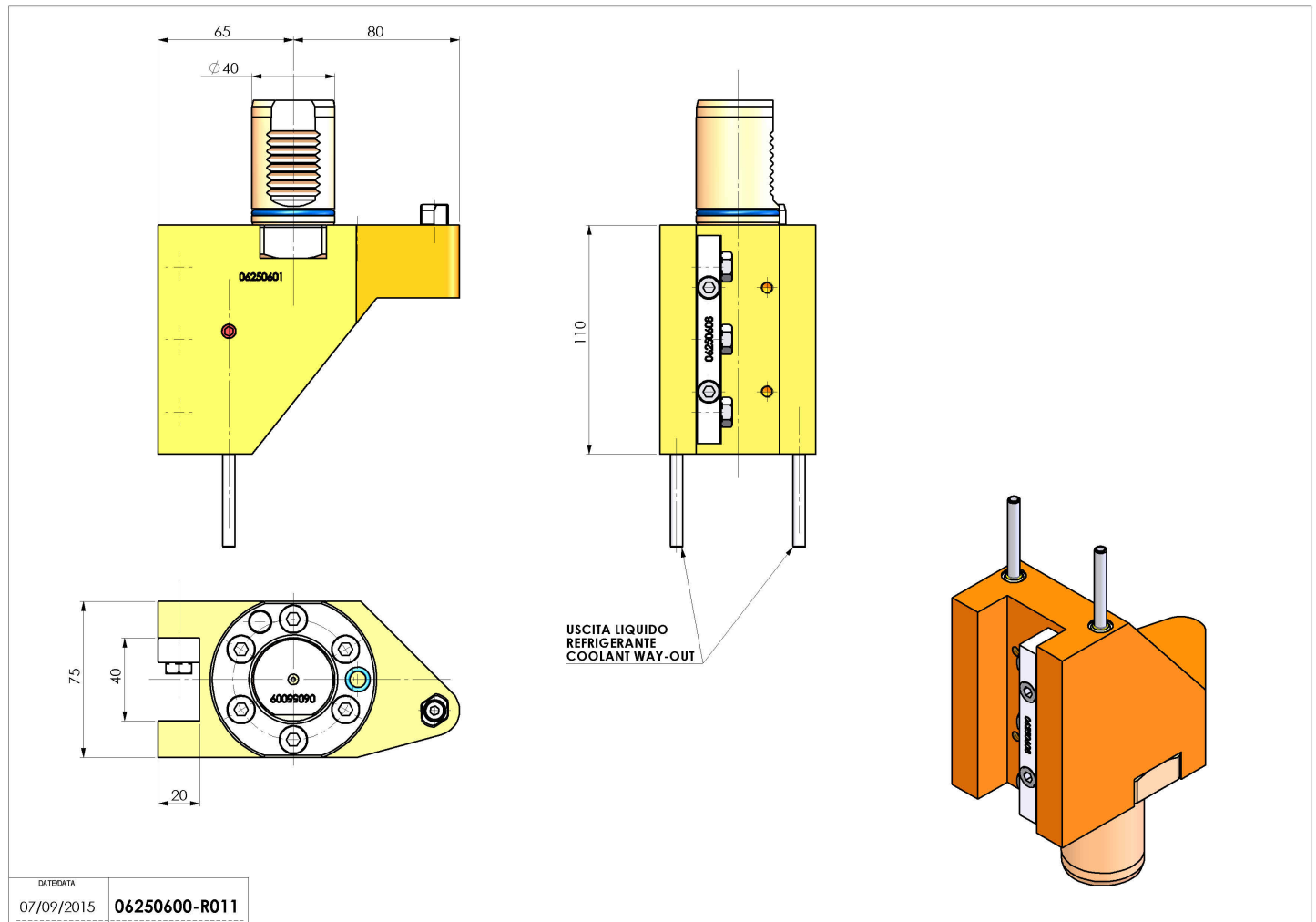
| | |
|-------------|---------------------------------|
| Type | TH-RAD Radial Tool holder |
| Mounting | VDI 40 |
| Tool output | Radial Square Tool Holder 20x20 |
| Coolant | External coolant |
| H [mm] | 110 |



| | |
|---------------|------------------------|
| Accessories | N.A. |
| Notes | N.A. |
| Mounting tips | Secondary spindle only |

ATTENTION: CHECK THE ORIENTATION OF THE VDI TEETH

Always check live tool dimensions on the turret



Subject to technical changes