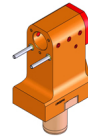


06250200 - TH-BRB VDI40 D32 H130 RF MZ

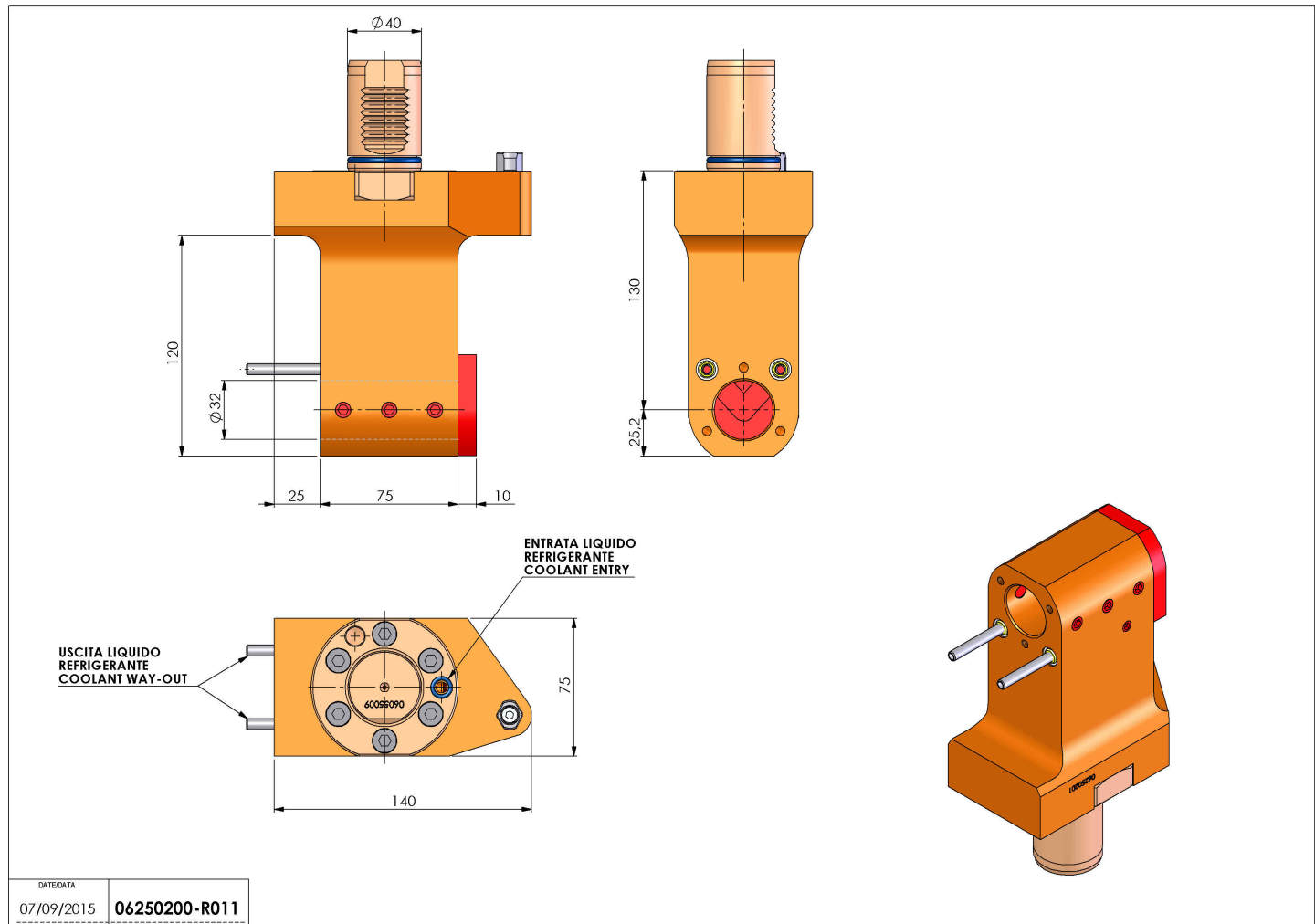
Type	TH-BRB Boring bar holder
Mounting	VDI 40
Tool output	Boring Bar Holder 32
Coolant	External / Internal coolant
H [mm]	130



Accessories	N.A.
Notes	Soon out of stock. Replaced by cod. 06055100
Mounting tips	Secondary spindle only

ATTENTION: CHECK THE ORIENTATION OF THE VDI TEETH

Always check live tool dimensions on the turret



Subject to technical changes

DATE/DATE	07/09/2015	06250200-R011
-----------	------------	---------------