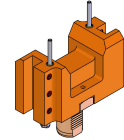


06250000 - TH-RAD VDI40 DP H100 L80/80 MZ

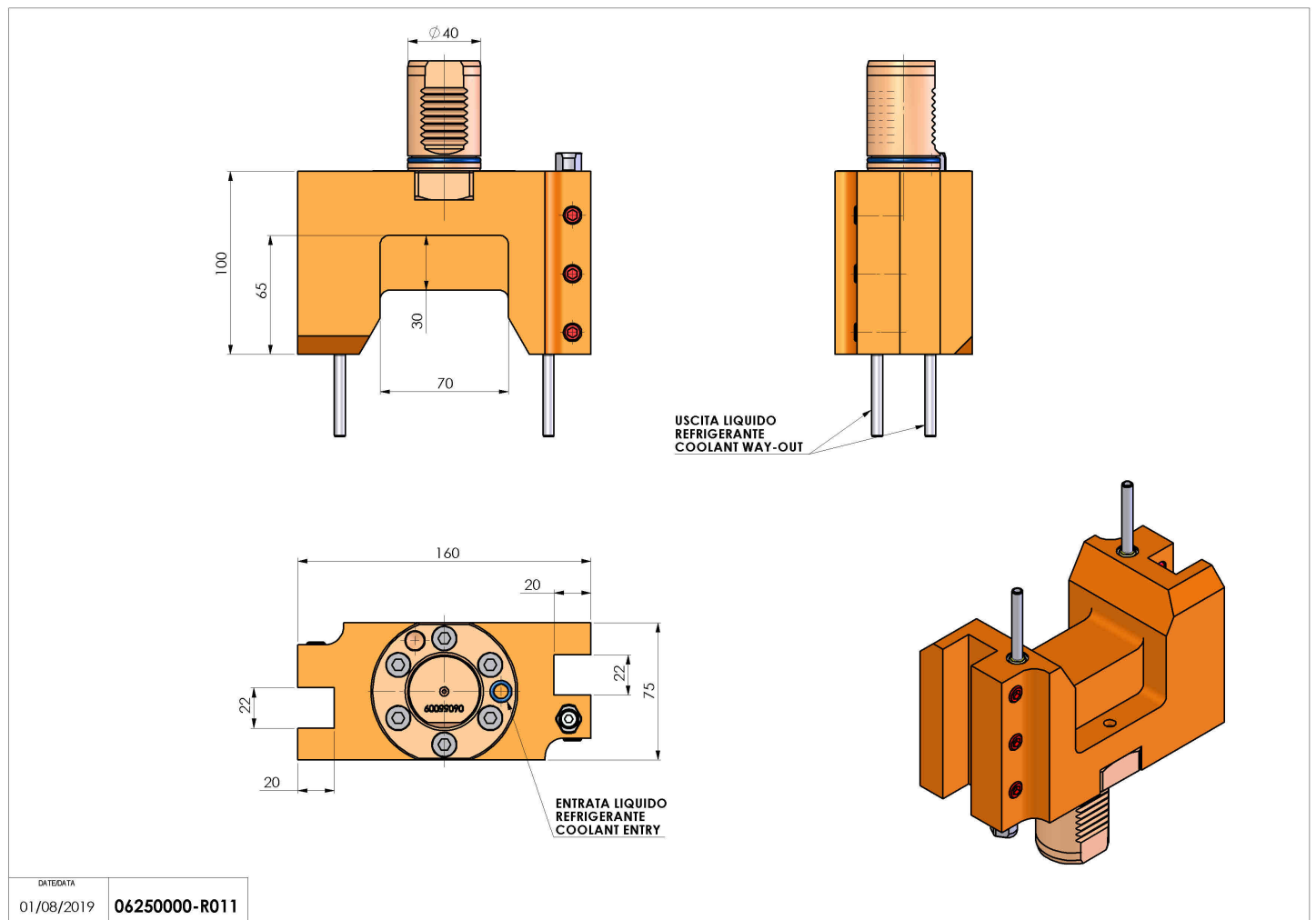
Type	TH-RAD Radial Tool holder
Mounting	VDI 40
Tool output	Axial Square Tool Holder 25x25
Coolant	External coolant
H [mm]	100



Accessories	N.A.
Notes	N.A.
Mounting tips	N.A.

ATTENTION: CHECK THE ORIENTATION OF THE VDI TEETH

Always check live tool dimensions on the turret



DATE/DATE	01/08/2019
	06250000-R011

Subject to technical changes