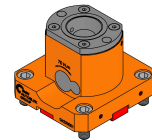


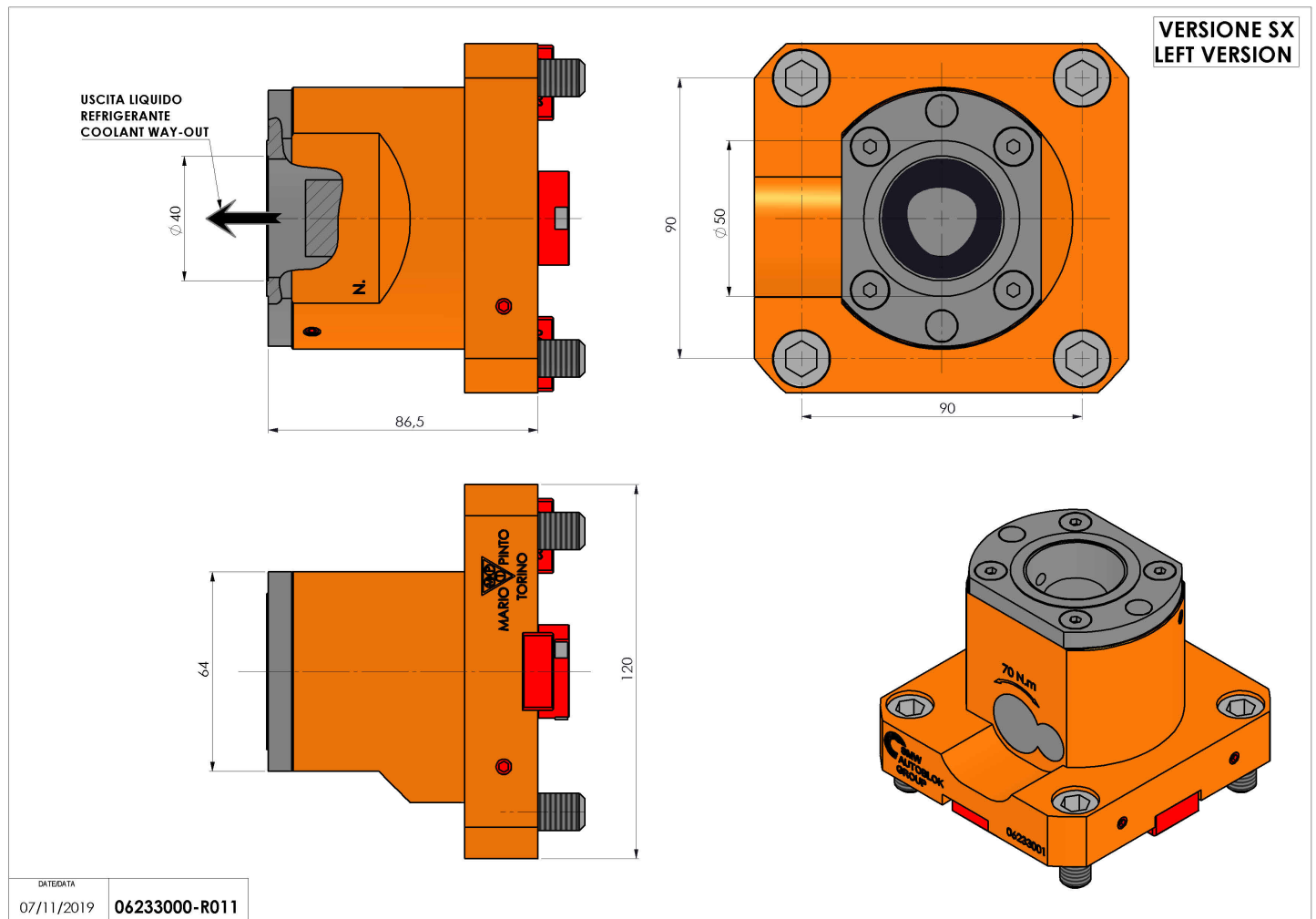
06233000 - TH-RAD BMT75 EM C50 L RF H82

Type	TH-RAD Radial Tool holder
Mounting	BMT 75 EM
Tool output	Polygonal shank C50 ISO 26623-1
Coolant	Internal coolant
H [mm]	87



Accessories	N.A.
Notes	N.A.
Mounting tips	N.A.

Always check live tool dimensions on the turret



Subject to technical changes