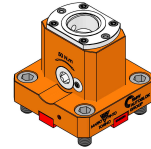


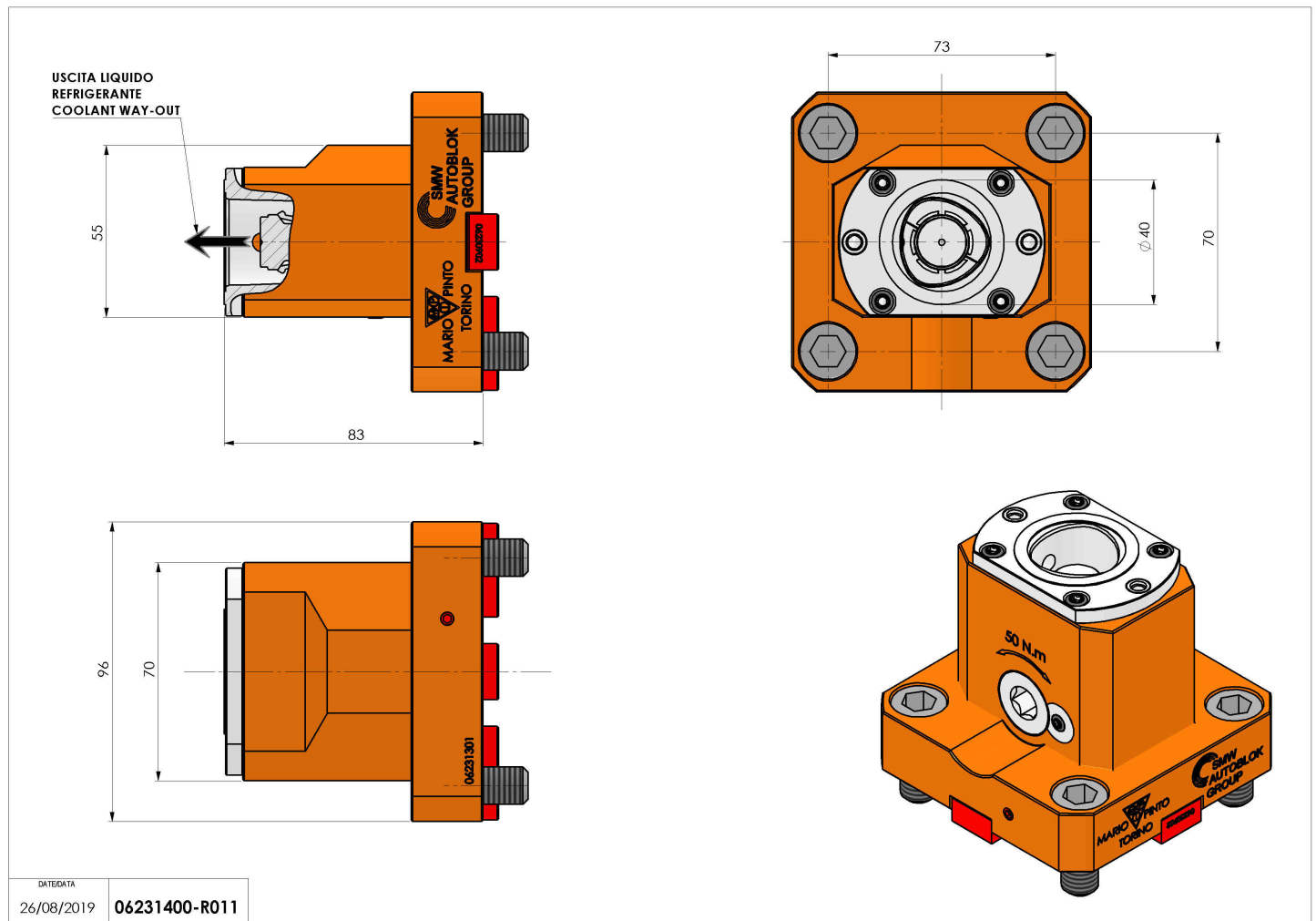
06231400 - TH-RAD BMT65EM C40 R RF H83

Type	TH-RAD Radial Tool holder
Mounting	BMT 65 EM
Tool output	Polygonal shank C40 ISO 26623-1
Coolant	Internal coolant
H [mm]	83



Accessories	N.A.
Notes	N.A.
Mounting tips	N.A.

Always check live tool dimensions on the turret



DATE/DATA	26/08/2019	06231400-R011
-----------	------------	---------------

Subject to technical changes