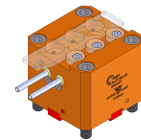


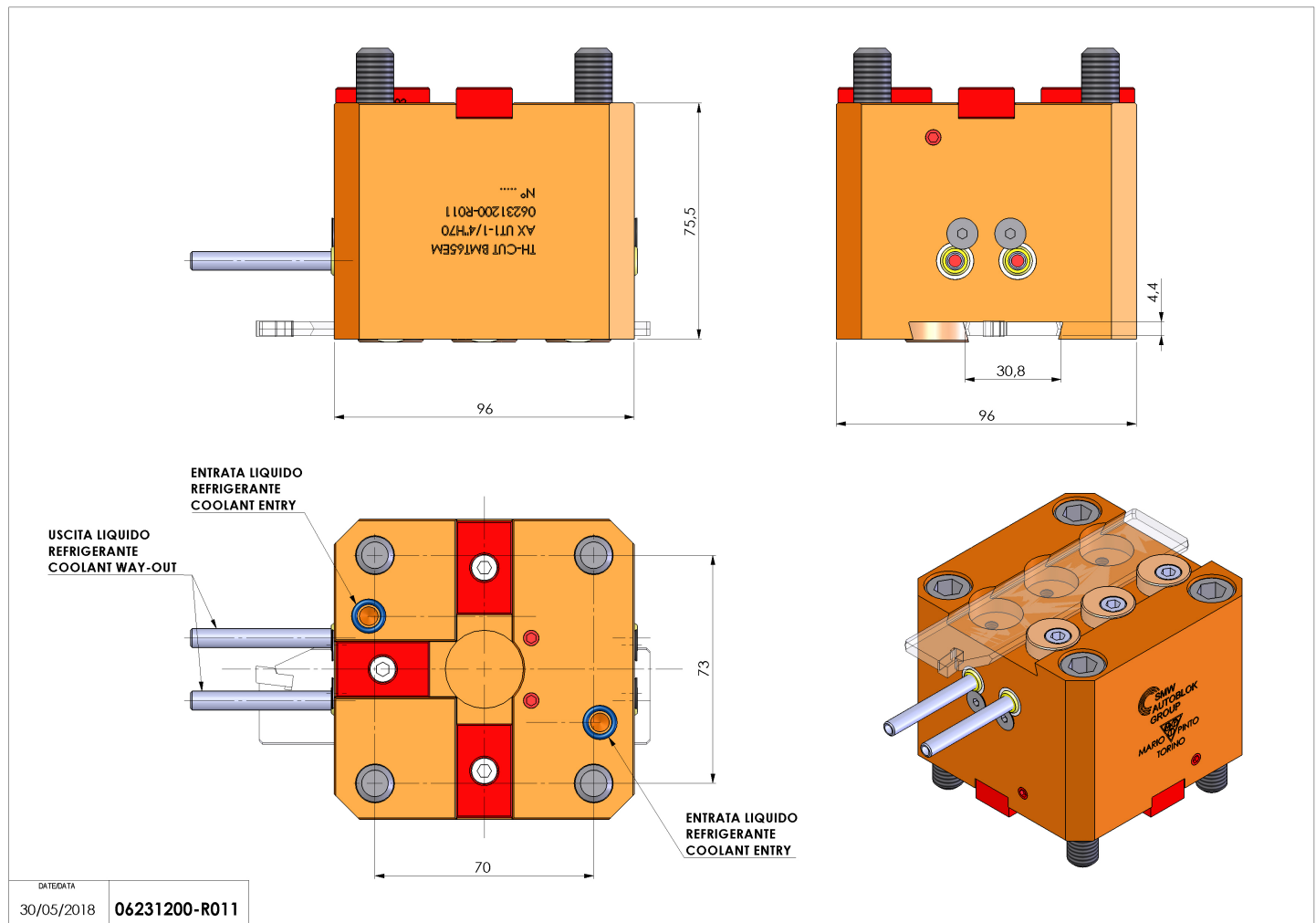
# 06231200 - TH-CUT BMT65EM AX UT1-1/4" H70

|                    |                           |
|--------------------|---------------------------|
| <b>Type</b>        | TH-CUT<br>Cutting holder  |
| <b>Mounting</b>    | BMT 65 EM                 |
| <b>Tool output</b> | Cut Off Holder 1-1/4"(32) |
| <b>Coolant</b>     | External coolant          |
| <b>H [mm]</b>      | 70                        |



|                      |      |
|----------------------|------|
| <b>Accessories</b>   | N.A. |
| <b>Notes</b>         | N.A. |
| <b>Mounting tips</b> | N.A. |

Always check live tool dimensions on the turret



|           |            |               |
|-----------|------------|---------------|
| DATE/DATE | 30/05/2018 | 06231200-R011 |
|-----------|------------|---------------|

Subject to technical changes