

## 06230600 - TH-AX BMT55EM4 KM50 H70

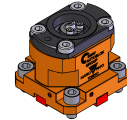
**Type** TH-AX  
Axial Tool holder

**Mounting** BMT 55 EM

**Tool output** Axial KM50 Tool Holder

**Coolant** Internal coolant

**H [mm]** 70

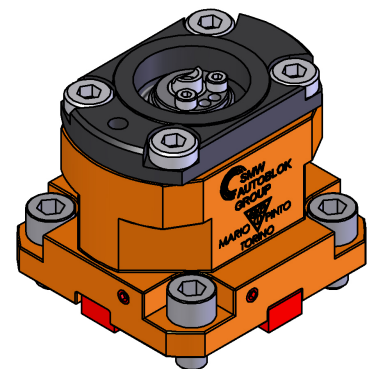
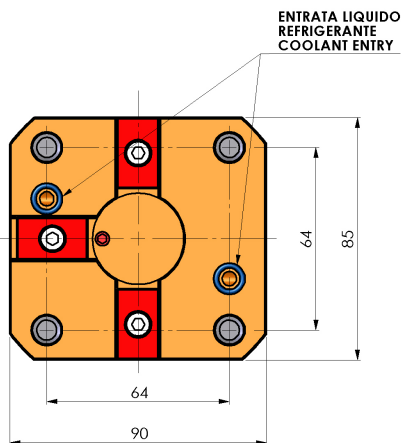
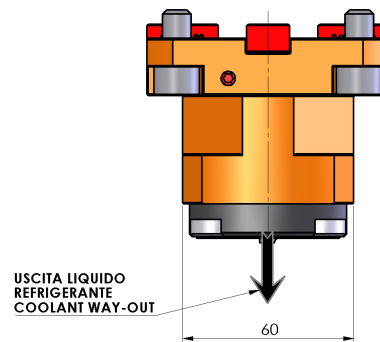
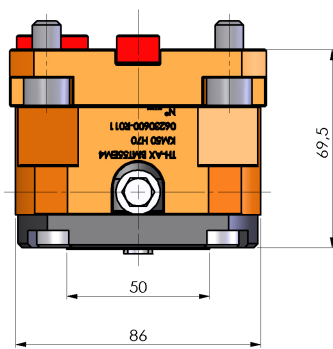


**Accessories** N.A.

**Notes** N.A.

**Mounting tips** N.A.

Always check live tool dimensions on the turret



DATE/DATE  
05/12/2017 06230600-R011

Subject to technical changes