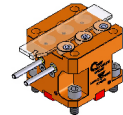


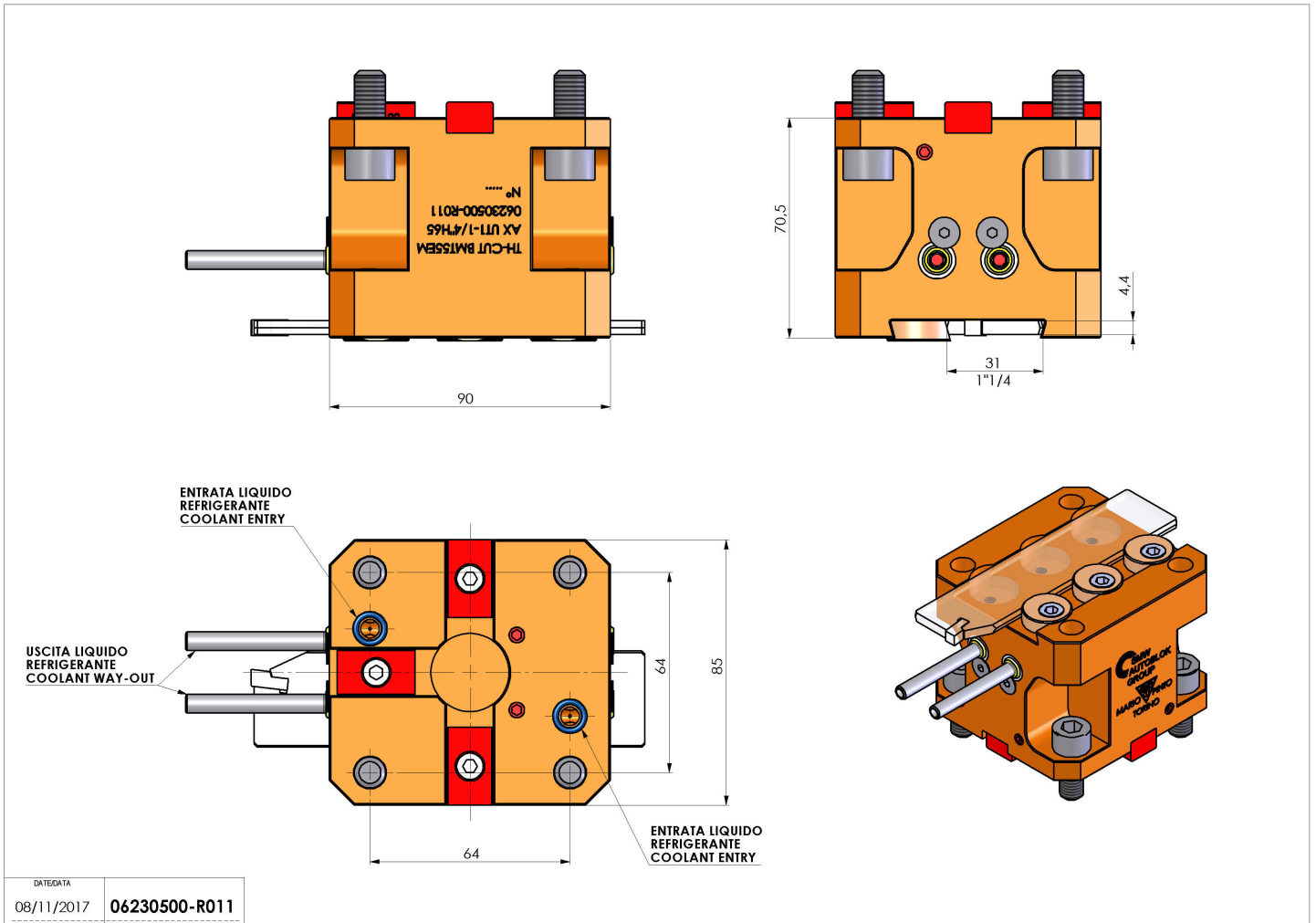
06230500 - TH-CUT BMT55EM AX UT1-1/4"H65

Type	TH-CUT Cutting holder
Mounting	BMT 55 EM
Tool output	Cut Off Holder 1-1/4"(32)
Coolant	External coolant
H [mm]	65



Accessories	N.A.
Notes	N.A.
Mounting tips	N.A.

Always check live tool dimensions on the turret



Subject to technical changes