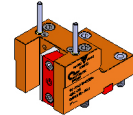


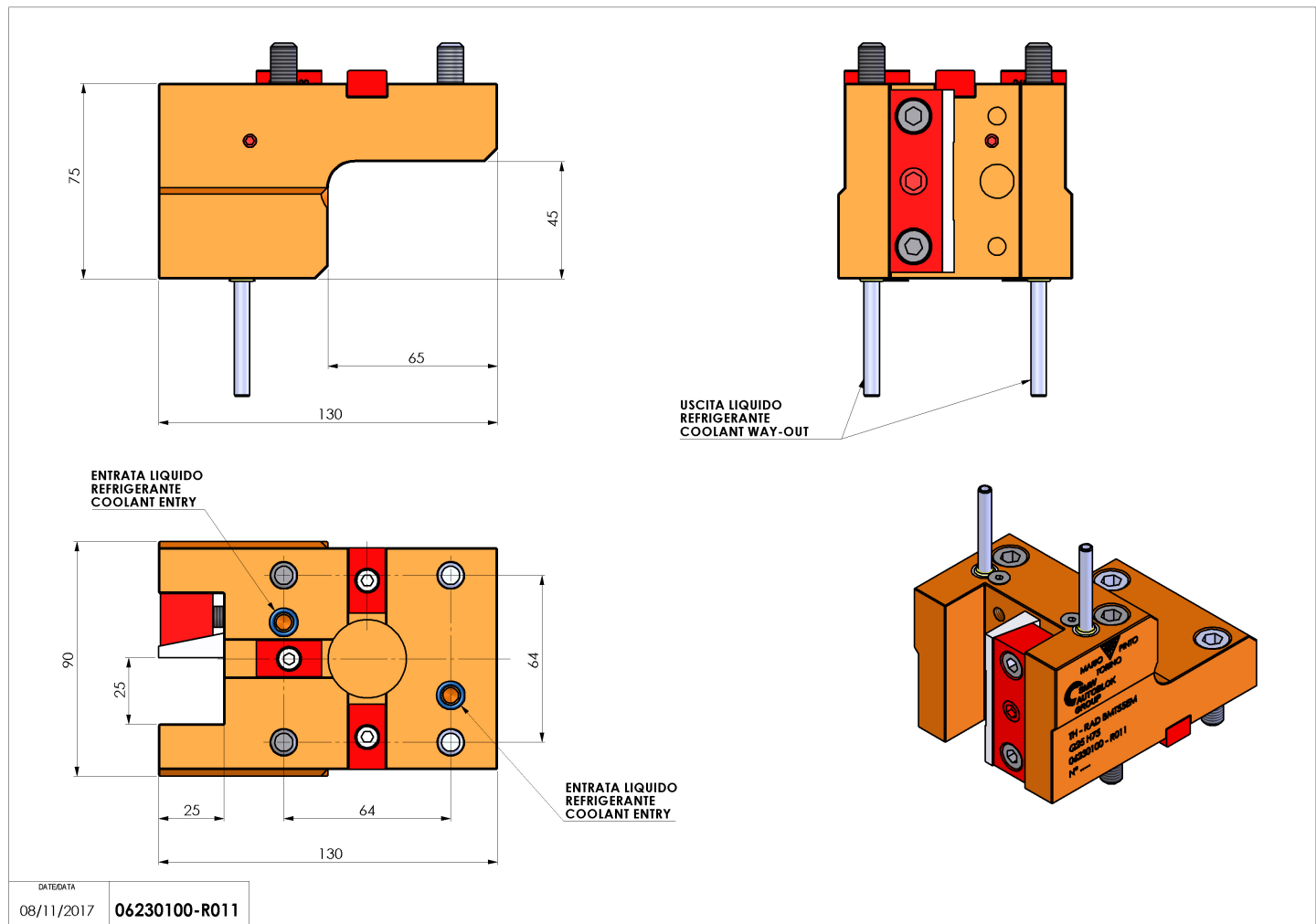
06230100 - TH-RAD BMT55EM Q25 H75

Type	TH-RAD Radial Tool holder
Mounting	BMT 55 EM
Tool output	Radial Square Tool Holder 25x25
Coolant	External coolant
H [mm]	80



Accessories	N.A.
Notes	N.A.
Mounting tips	N.A.

Always check live tool dimensions on the turret



DATE/DATE	08/11/2017
06230100-R011	

Subject to technical changes