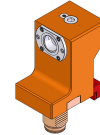


06159100 - TH-AX VDI40 C40 OFS-12 RF H110

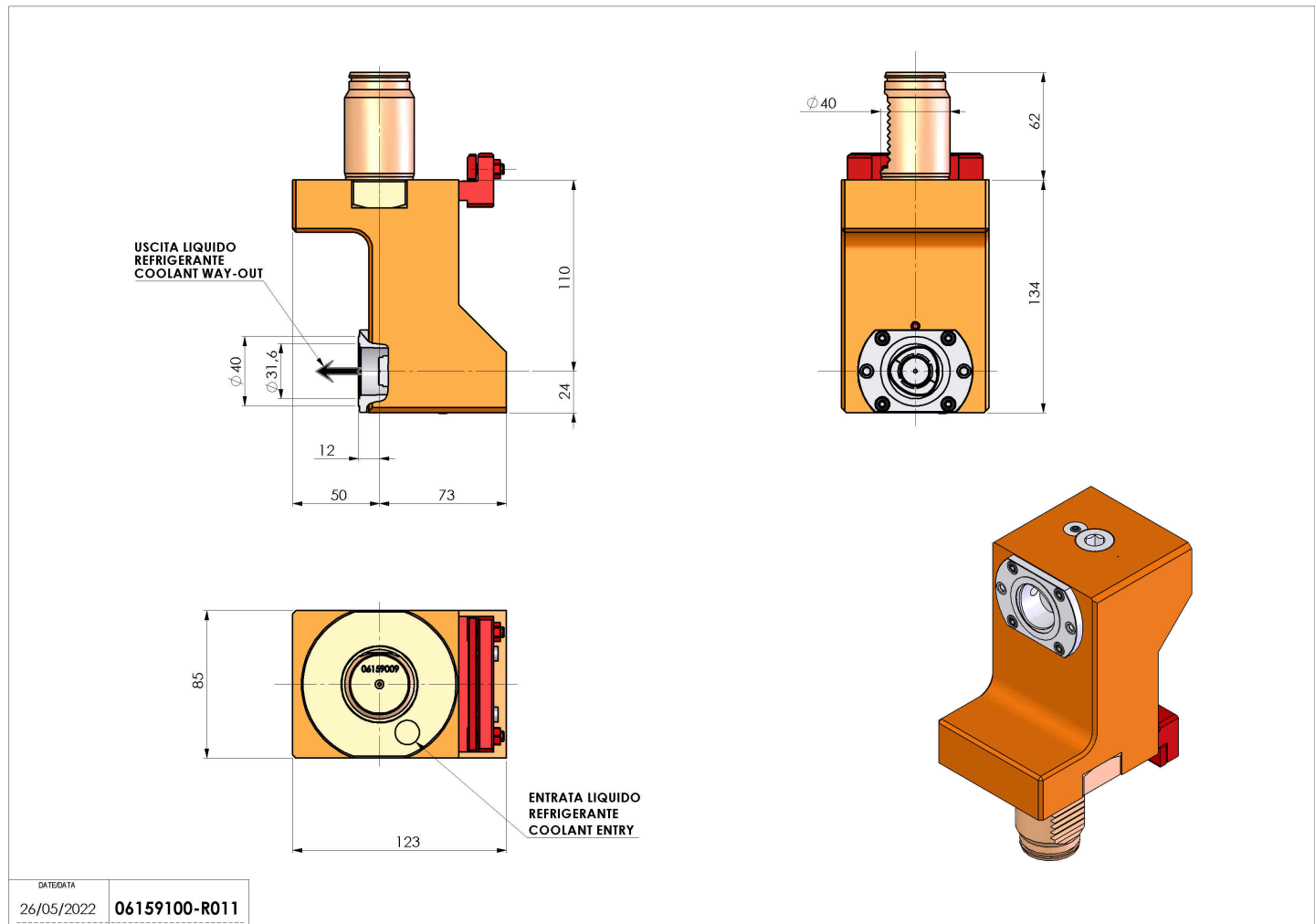
| | |
|-------------|---------------------------------|
| Type | TH-RAD Radial Tool holder |
| Mounting | VDI 40 |
| Tool output | Polygonal shank C40 ISO 26623-1 |
| Coolant | Internal coolant |
| H [mm] | 110 |



| | |
|---------------|------|
| Accessories | N.A. |
| Notes | N.A. |
| Mounting tips | N.A. |

ATTENTION: CHECK THE ORIENTATION OF THE VDI TEETH

Always check live tool dimensions on the turret



Subject to technical changes