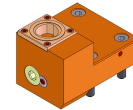


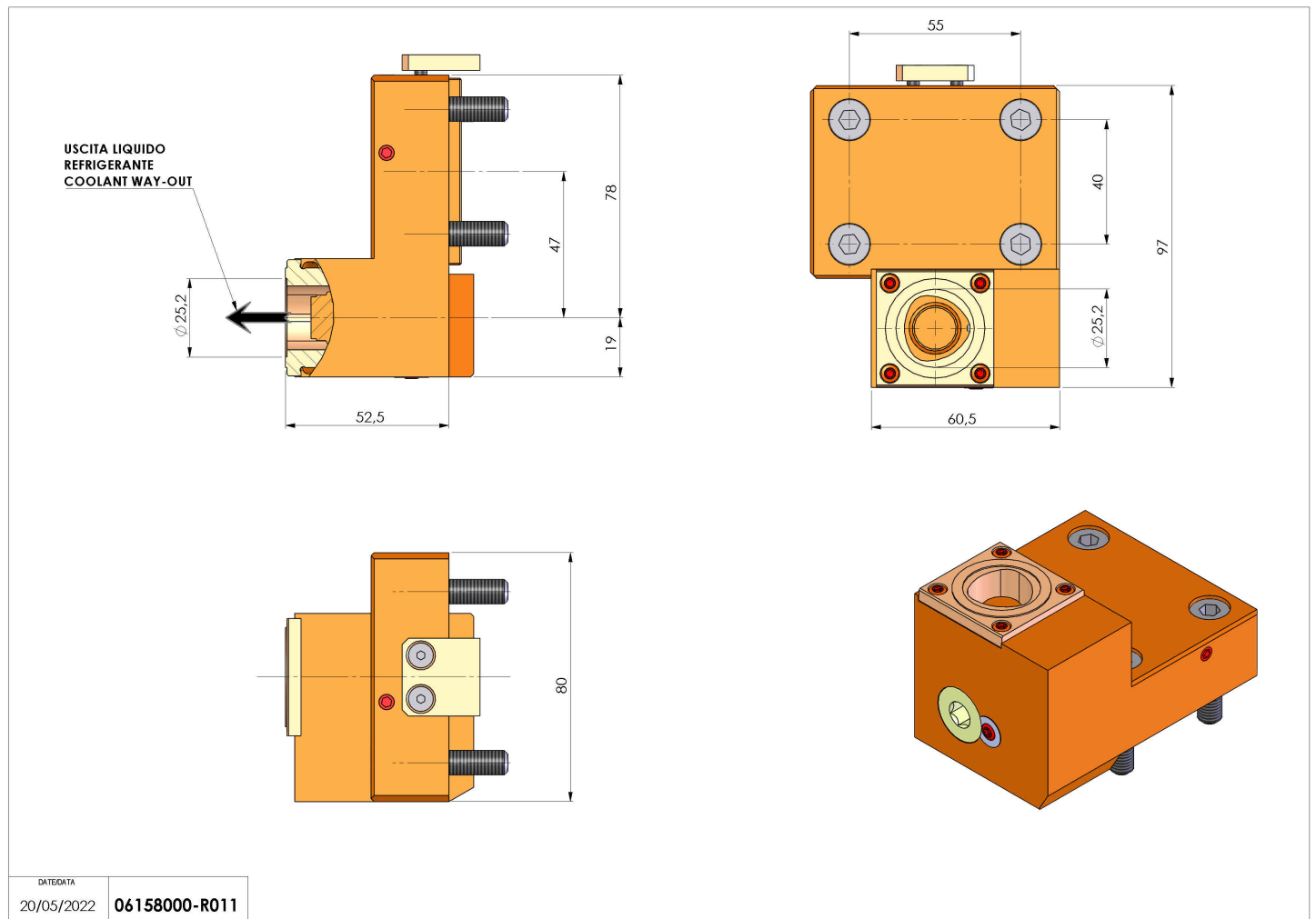
# 06158000 - TH-RAD D44 C32 RF OFS-47 H52.5

<b>Type</b>	TH-RAD Radial Tool holder
<b>Mounting</b>	CYLINDRICAL SHANK 44
<b>Tool output</b>	Polygonal shank C32 ISO 26623-1
<b>Coolant</b>	Internal coolant
<b>H [mm]</b>	52.5



<b>Accessories</b>	N.A.
<b>Notes</b>	N.A.
<b>Mounting tips</b>	N.A.

Always check live tool dimensions on the turret



DATE/DATE	06158000-R011
20/05/2022	

Subject to technical changes