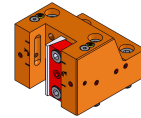
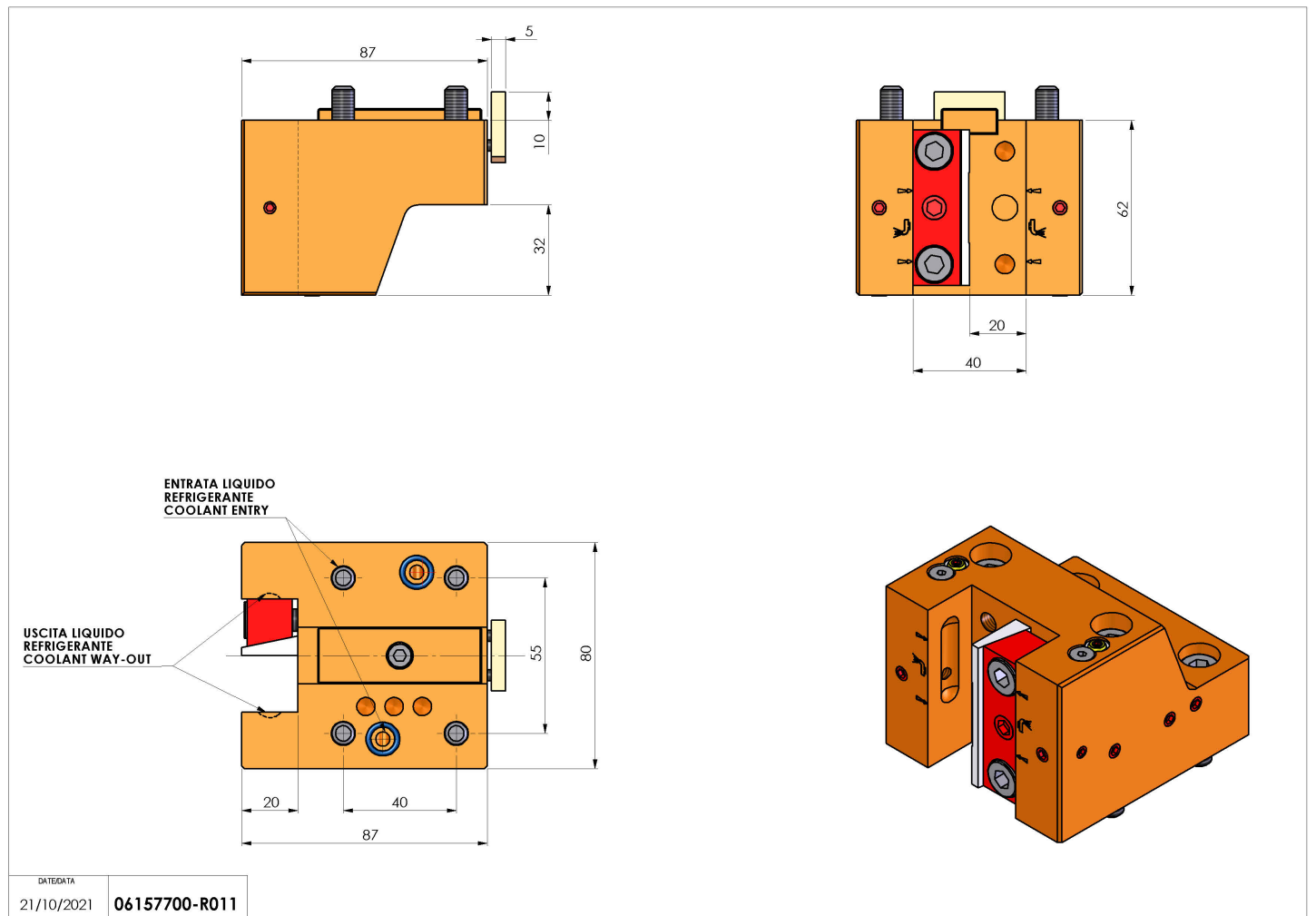


06157700 - TH-RAD D44 Q20 HRF H62

| | |
|--------------------|---------------------------------|
| Type | TH-RAD Radial Tool holder |
| Mounting | CYLINDRICAL SHANK 44 |
| Tool output | Radial Square Tool Holder 20x20 |
| Coolant | HRF Internal/external coolant |
| H [mm] | 62 |
| Max pressure [bar] | 80 |
| Accessories | N.A. |
| Notes | N.A. |
| Mounting tips | N.A. |



Always check live tool dimensions on the turret



| | |
|-----------|---------------|
| DATE/DATE | 06157700-R011 |
|-----------|---------------|

Subject to technical changes