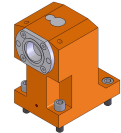
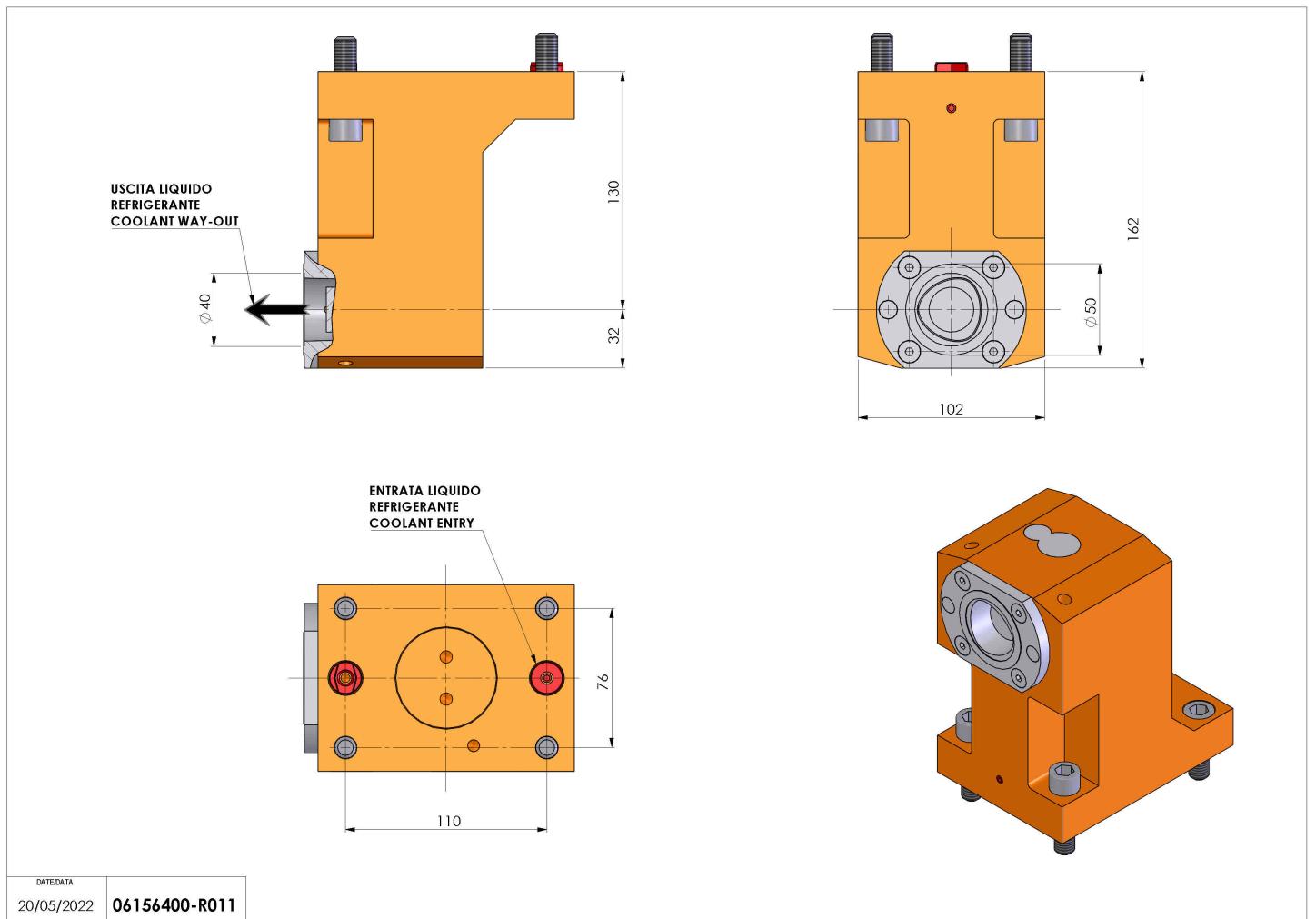


## 06156400 - TH-AX P18 C50 RF H130

<b>Type</b>	TH-AX Axial Tool holder
<b>Mounting</b>	CYLINDRICAL SHANK 55
<b>Tool output</b>	Polygonal shank C50 ISO 26623-1
<b>Coolant</b>	Internal coolant
<b>H [mm]</b>	130
<b>Accessories</b>	N.A.
<b>Notes</b>	N.A.
<b>Mounting tips</b>	N.A.



Always check live tool dimensions on the turret



Subject to technical changes