

06155000 - TH-BRB VDI40 D40 H140

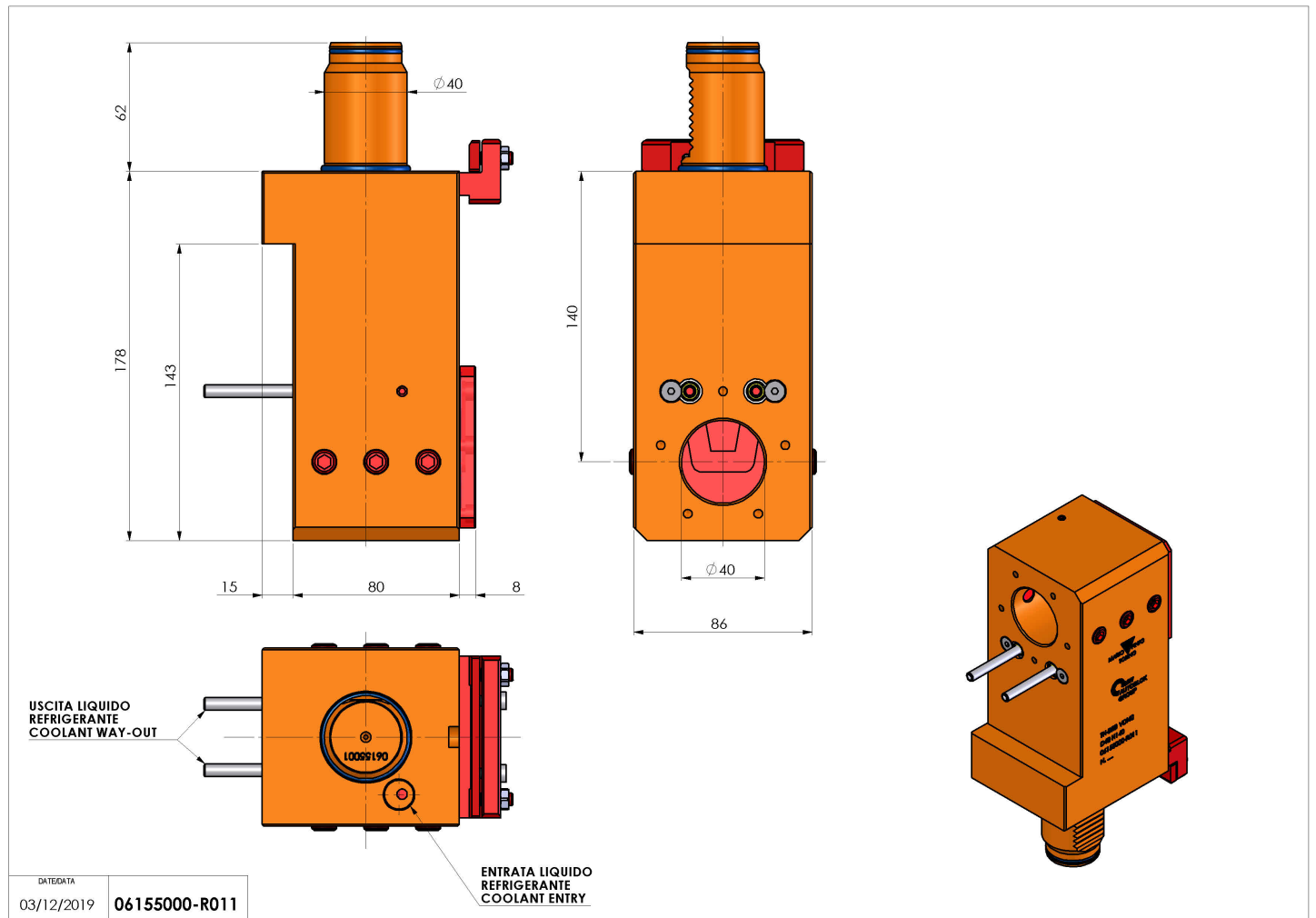
Type	TH-BRB Boring bar holder
Mounting	VDI 40
Tool output	Boring Bar Holder 40
Coolant	External / Internal coolant
H [mm]	140



Accessories	N.A.
Notes	N.A.
Mounting tips	N.A.

ATTENTION: CHECK THE ORIENTATION OF THE VDI TEETH

Always check live tool dimensions on the turret



Subject to technical changes