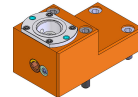


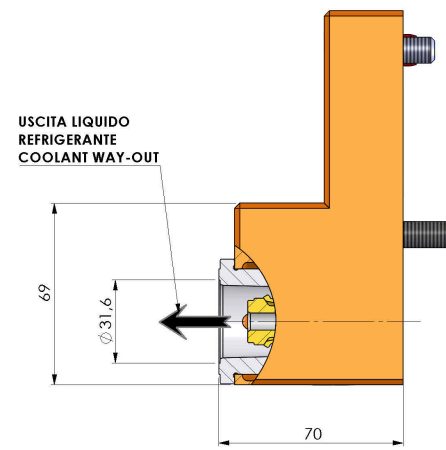
## 06153900 - TH-RAD P12 C40 RF OFS-68 H70

<b>Type</b>	TH-RAD Radial Tool holder
<b>Mounting</b>	CYLINDRICAL SHANK 40
<b>Tool output</b>	Polygonal shank C40 ISO 26623-1
<b>Coolant</b>	Internal coolant
<b>H [mm]</b>	70

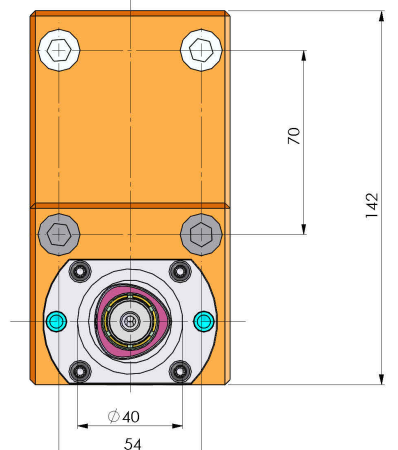


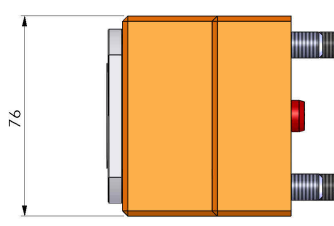
<b>Accessories</b>	N.A.
<b>Notes</b>	N.A.
<b>Mounting tips</b>	N.A.

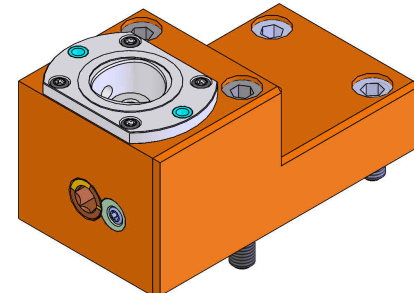
Always check live tool dimensions on the turret



USCITA LIQUIDO  
REFRIGERANTE  
COOLANT WAY-OUT







DATE/DATE
20/05/2022
06153900-R011

**Subject to technical changes**