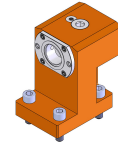


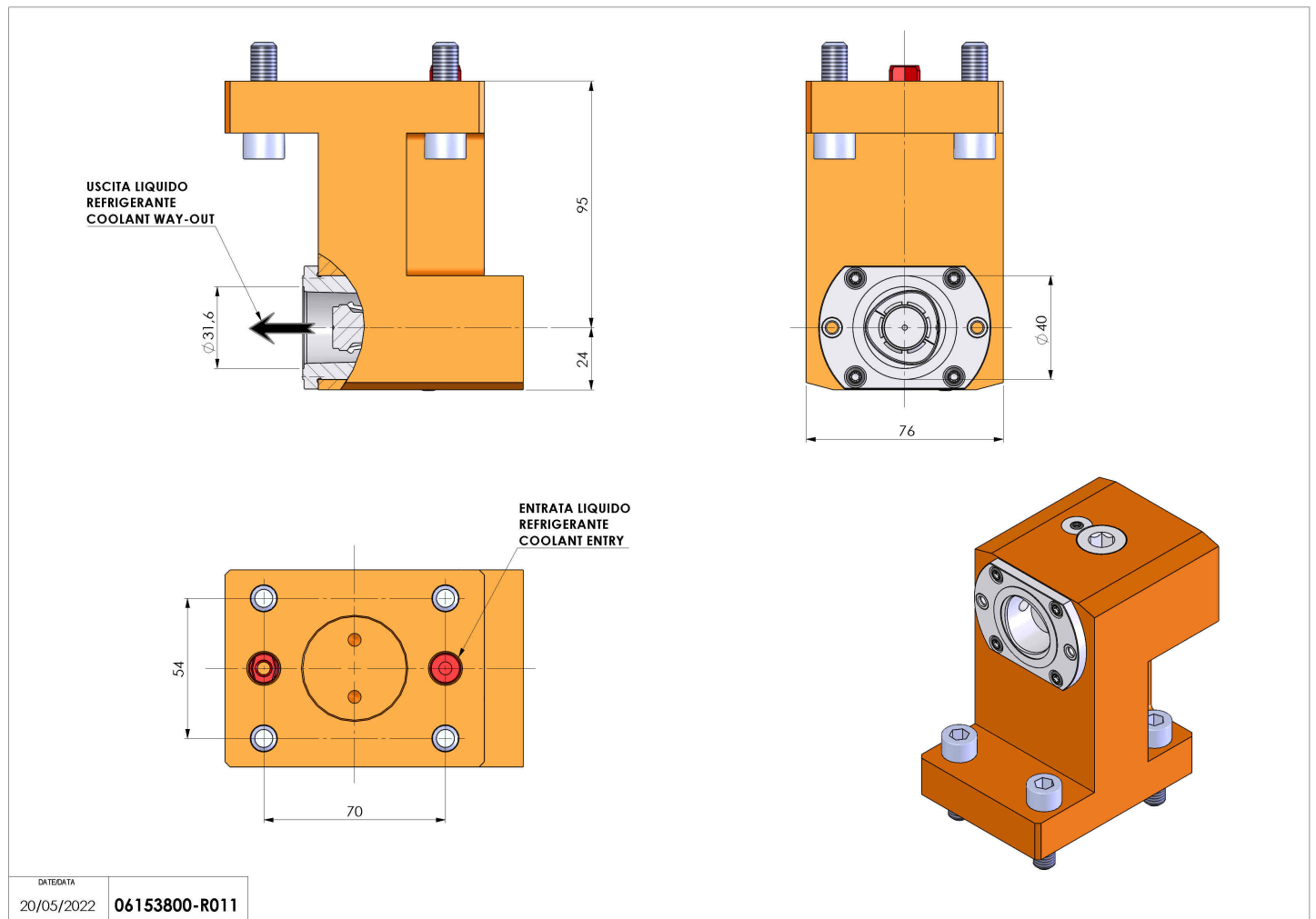
# 06153800 - TH-AX P12 C40 RF OFS-20 H95

<b>Type</b>	TH-AX Axial Tool holder
<b>Mounting</b>	CYLINDRICAL SHANK 40
<b>Tool output</b>	Polygonal shank C40 ISO 26623-1
<b>Coolant</b>	Internal coolant
<b>H [mm]</b>	95



<b>Accessories</b>	N.A.
<b>Notes</b>	N.A.
<b>Mounting tips</b>	N.A.

Always check live tool dimensions on the turret



Subject to technical changes