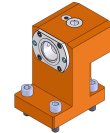


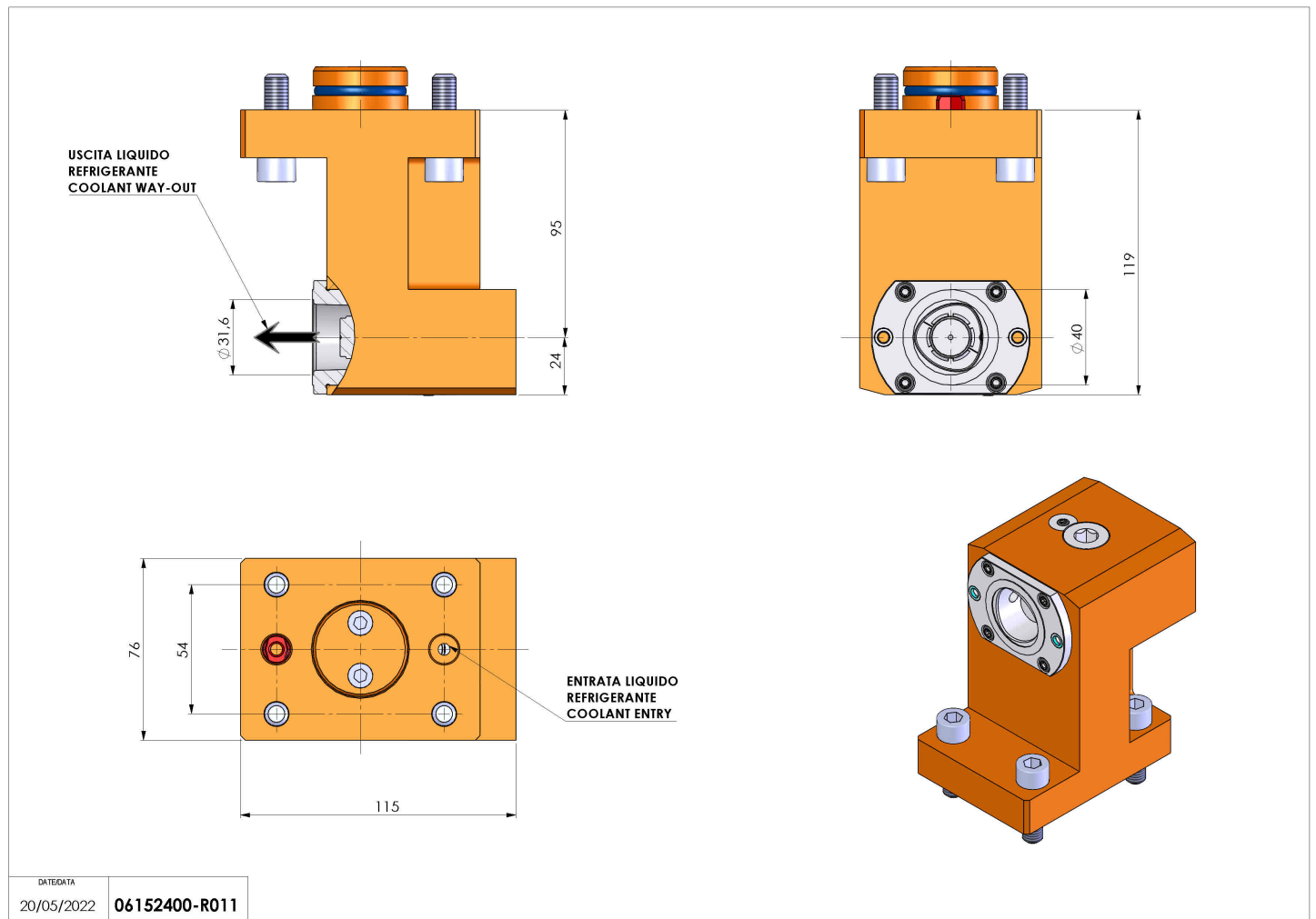
06152400 - TH-AX D40 C40 RF OFS-20 H95

Type	TH-AX Axial Tool holder
Mounting	CYLINDRICAL SHANK 40
Tool output	Polygonal shank C40 ISO 26623-1
Coolant	Internal coolant
H [mm]	95



Accessories	N.A.
Notes	N.A.
Mounting tips	N.A.

Always check live tool dimensions on the turret



DATE/DATE	20/05/2022	06152400-R011
-----------	------------	---------------

Subject to technical changes