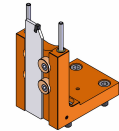


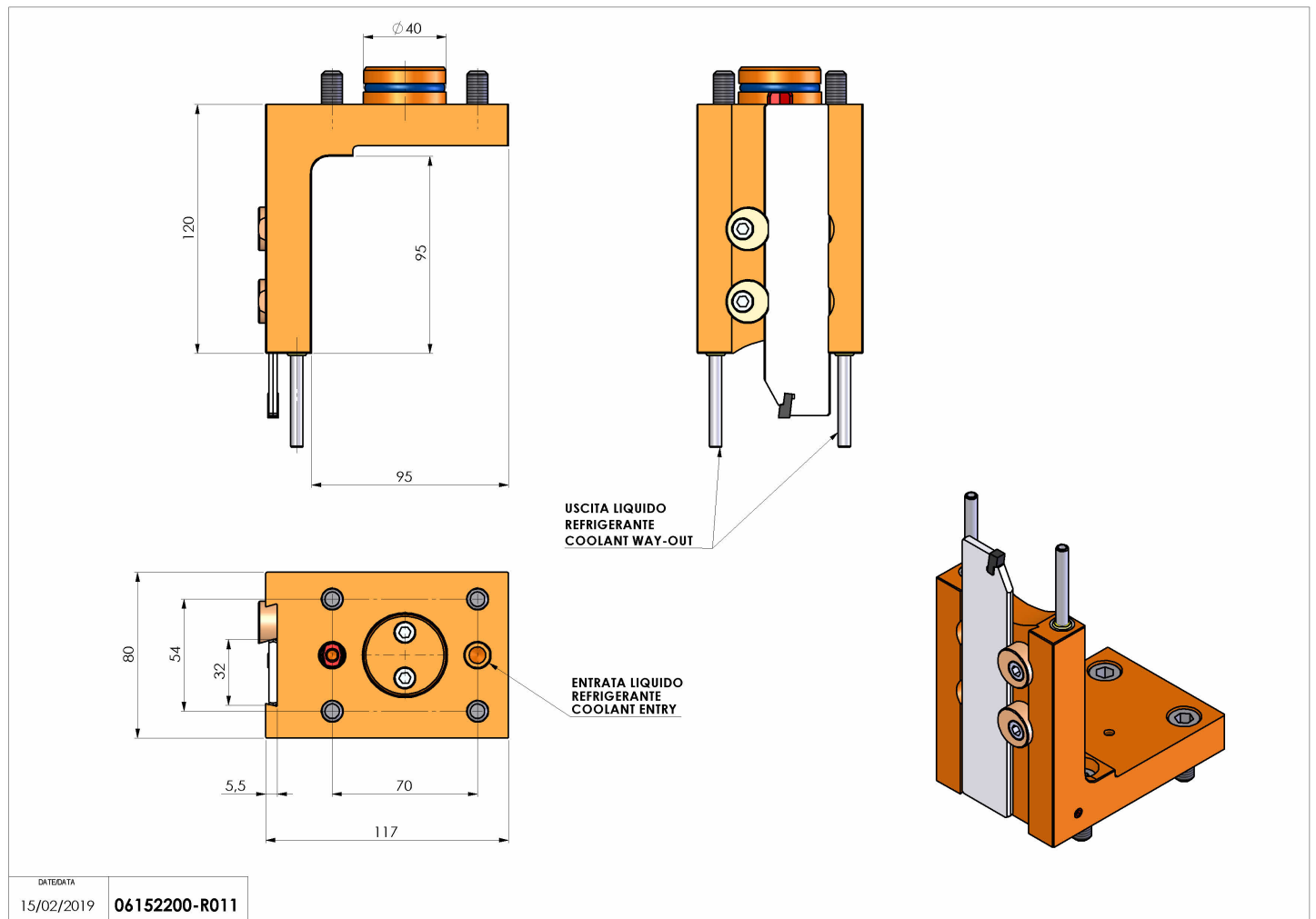
## 06152200 - TH-CUT D40 UT32 H120

<b>Type</b>	TH-CUT Cutting holder
<b>Mounting</b>	CYLINDRICAL SHANK 40
<b>Tool output</b>	Cut Off Holder 32
<b>Coolant</b>	External coolant
<b>H [mm]</b>	120



<b>Accessories</b>	N.A.
<b>Notes</b>	N.A.
<b>Mounting tips</b>	N.A.

Always check live tool dimensions on the turret



DATE/DATE	15/02/2019
PART NUMBER	06152200-R011

Subject to technical changes