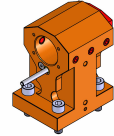
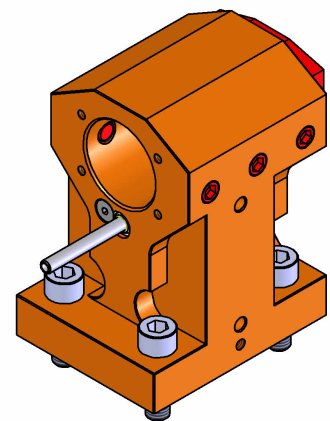
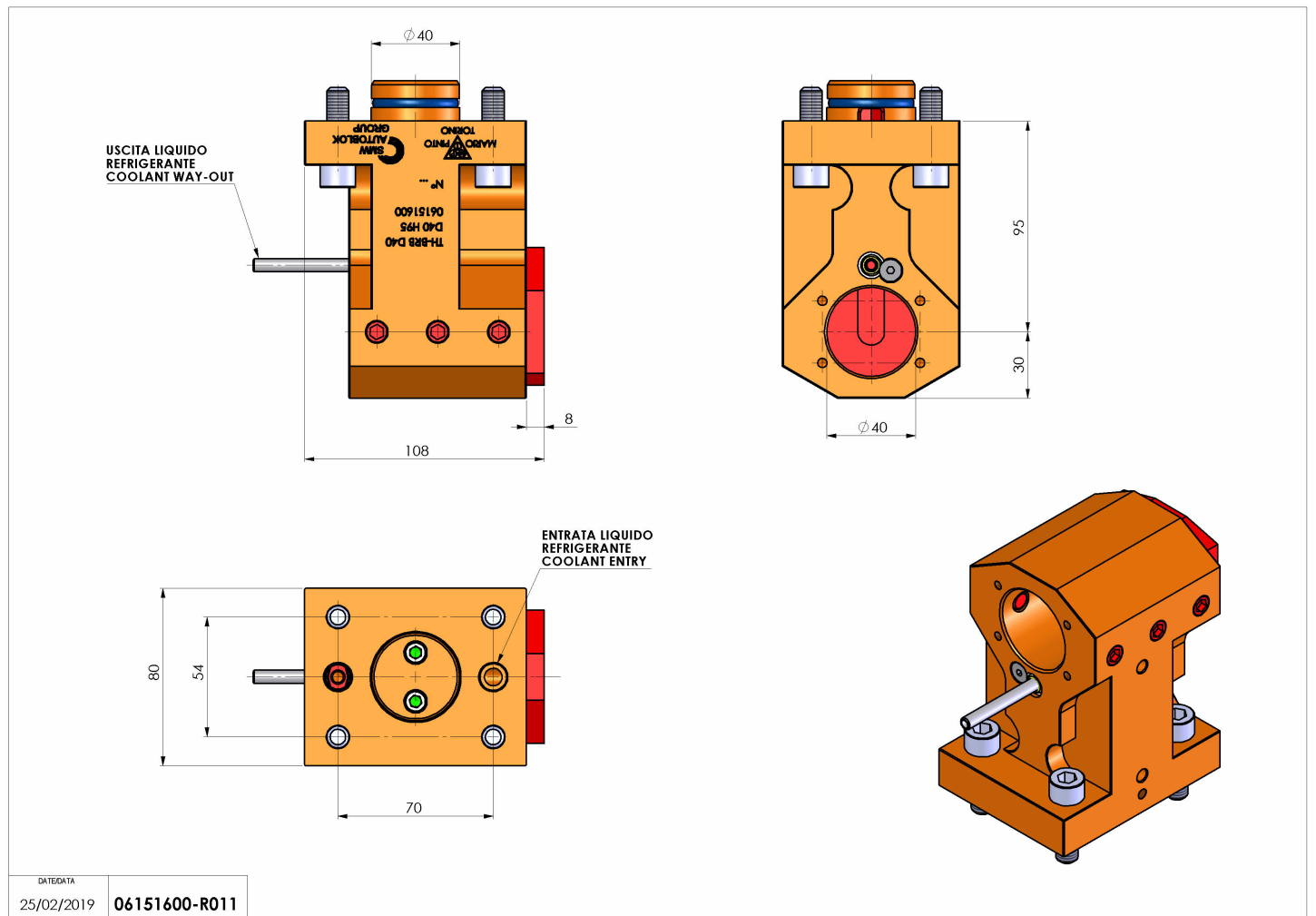


06151600 - TH-BRB D40 D40 H95 MU

Type	TH-BRB Boring bar holder
Mounting	CYLINDRICAL SHANK 40
Tool output	Boring Bar Holder 40
Coolant	External / Internal coolant
H [mm]	95
Accessories	N.A.
Notes	N.A.
Mounting tips	N.A.



Always check live tool dimensions on the turret



DATE/DATE	06151600-R011
25/02/2019	

Subject to technical changes