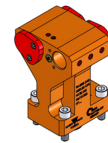


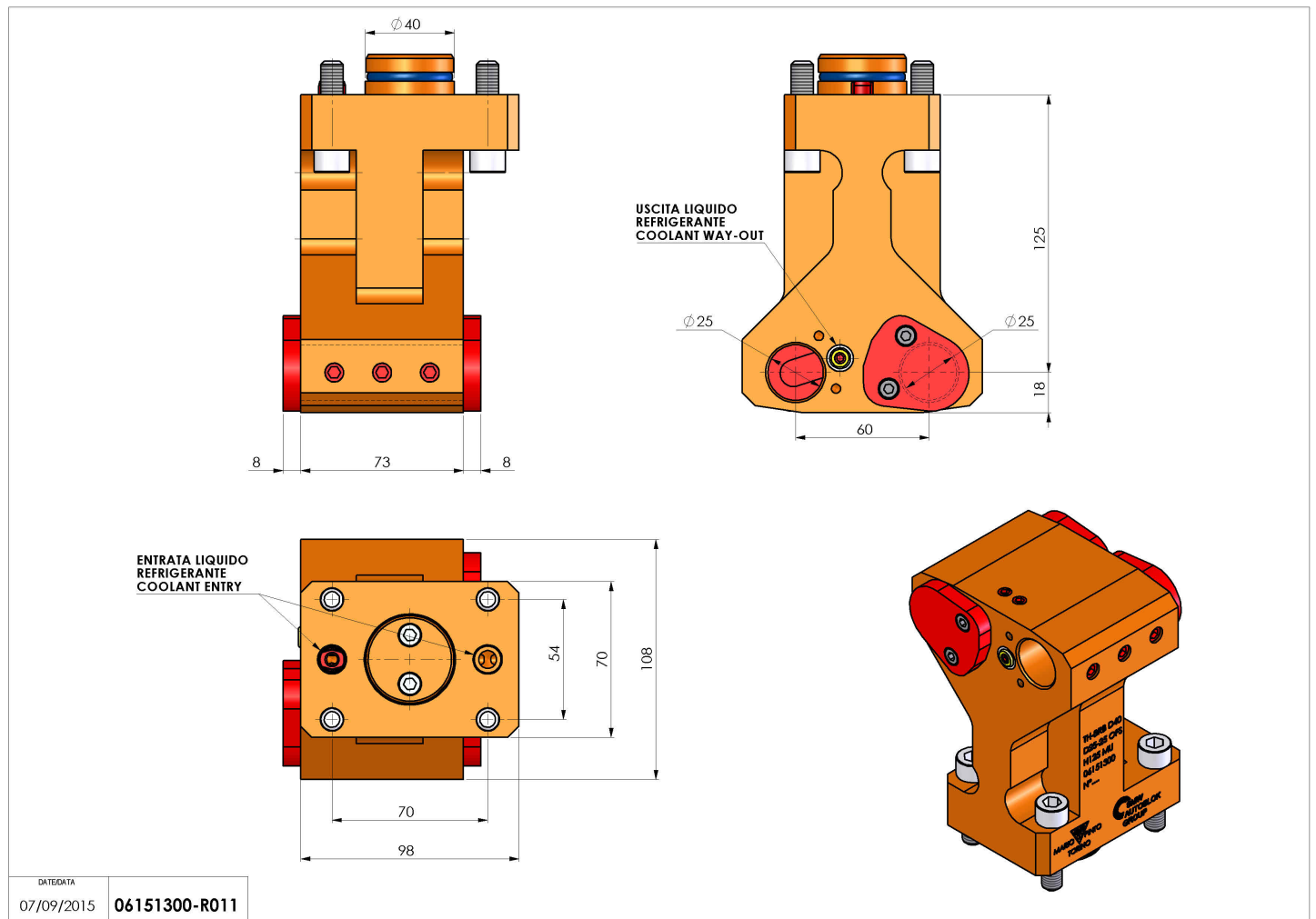
# 06151300 - TH-BRB D40 D25-25 L60 H125 MU

<b>Type</b>	TH-BRB Boring bar holder
<b>Mounting</b>	CYLINDRICAL SHANK 40
<b>Tool output</b>	Boring Bar Holder 25
<b>Coolant</b>	External / Internal coolant
<b>H [mm]</b>	125



<b>Accessories</b>	N.A.
<b>Notes</b>	N.A.
<b>Mounting tips</b>	N.A.

Always check live tool dimensions on the turret



DATE/DATE	07/09/2015
06151300-R011	

Subject to technical changes