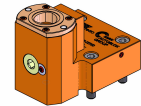
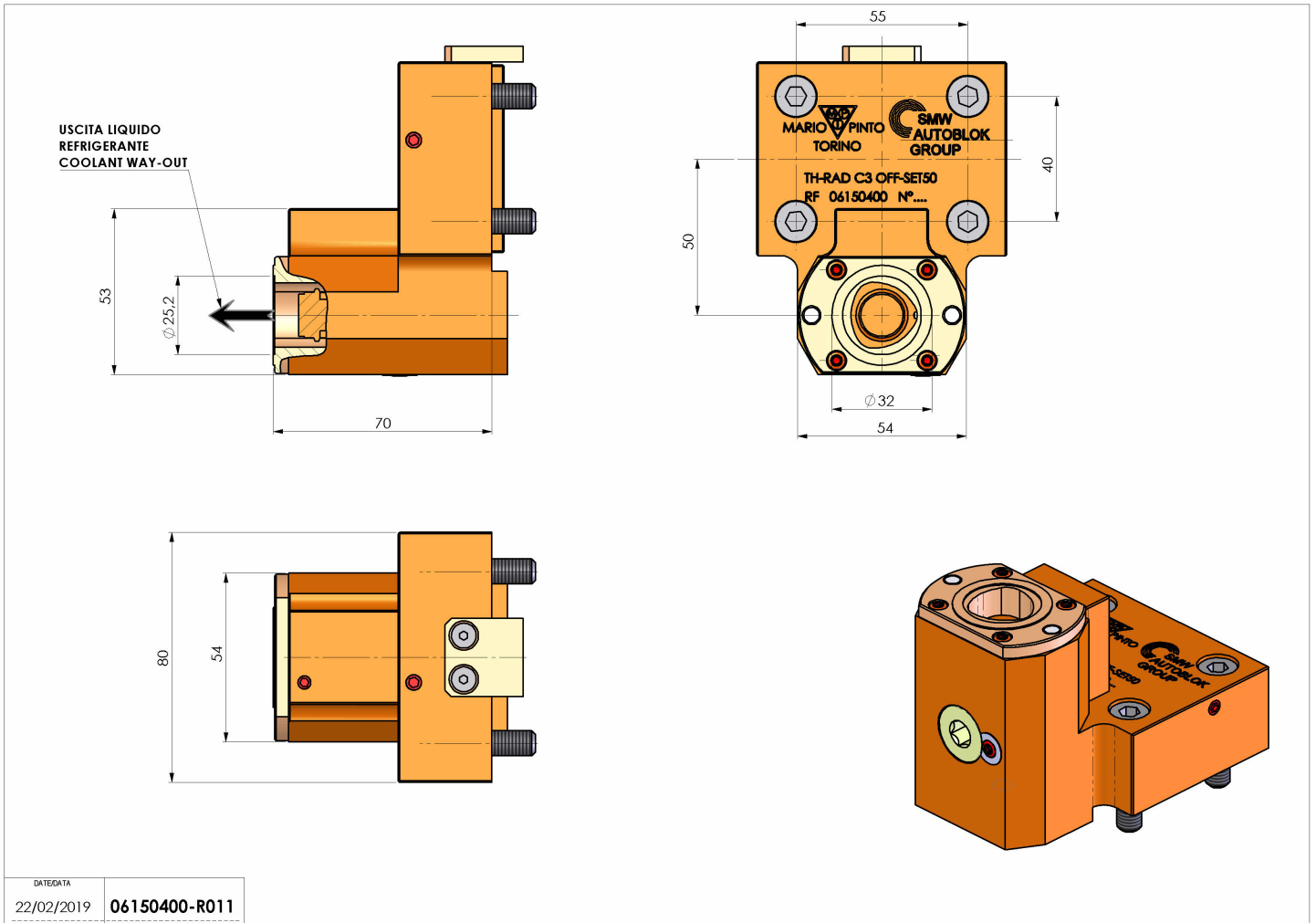


06150400 - TH-RAD C32 OFF-SET50 RF

Type	TH-RAD Radial Tool holder
Mounting	CYLINDRICAL SHANK 44
Tool output	Polygonal shank C32 ISO 26623-1
Coolant	Internal coolant
Offset [mm]	50
H [mm]	70
Accessories	N.A.
Notes	N.A.
Mounting tips	N.A.



Always check live tool dimensions on the turret



DATE/DATE	06150400-R011
22/02/2019	

Subject to technical changes