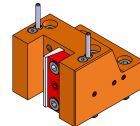


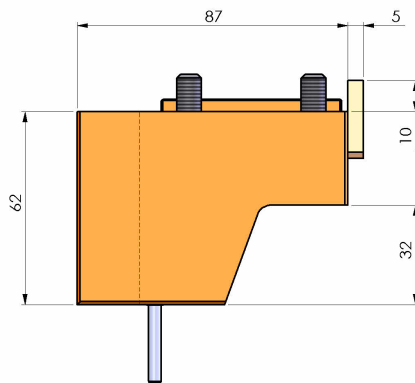
## 06150000 - TH-RAD UT20 H62 CN MU

Type	TH-RAD Radial Tool holder
Mounting	CYLINDRICAL SHANK 44
Tool output	Radial Square Tool Holder 20x20
Coolant	External coolant
H [mm]	62

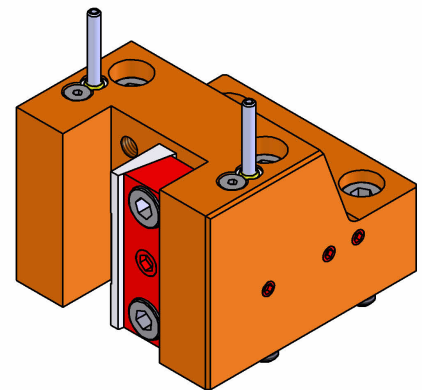
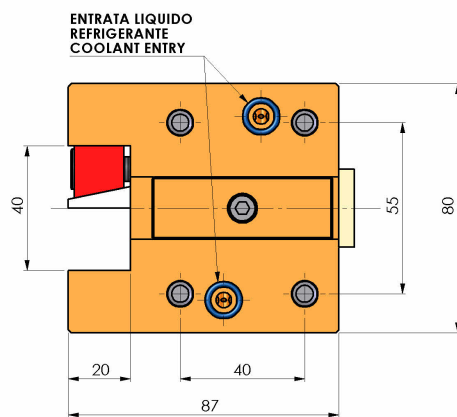
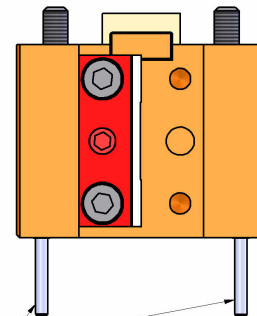


Accessories	N.A.
Notes	N.A.
Mounting tips	N.A.

Always check live tool dimensions on the turret



USCITA LIQUIDO  
REFRIGERANTE  
COOLANT WAY-OUT



DATE/DATE

21/02/2019

06150000-R011

Subject to technical changes