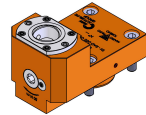


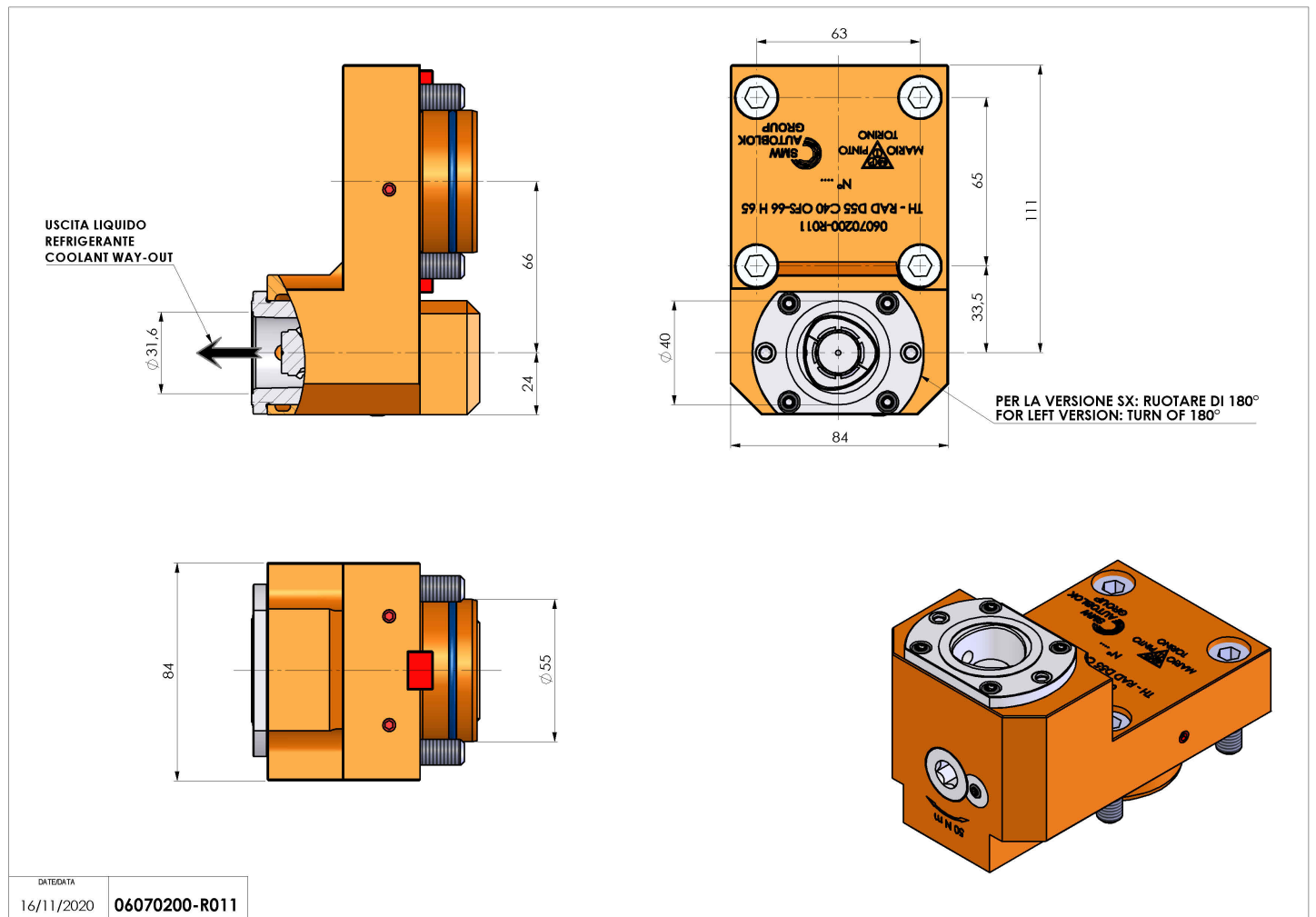
## 06070200 - TH-RAD D55 C40 OFS-66 RF H65

Type	TH-RAD Radial Tool holder
Mounting	CYLINDRICAL SHANK 55
Tool output	Polygonal shank C40 ISO 26623-1
Coolant	Internal coolant
H [mm]	65



Accessories	N.A.
Notes	N.A.
Mounting tips	N.A.

Always check live tool dimensions on the turret



Subject to technical changes