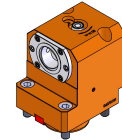


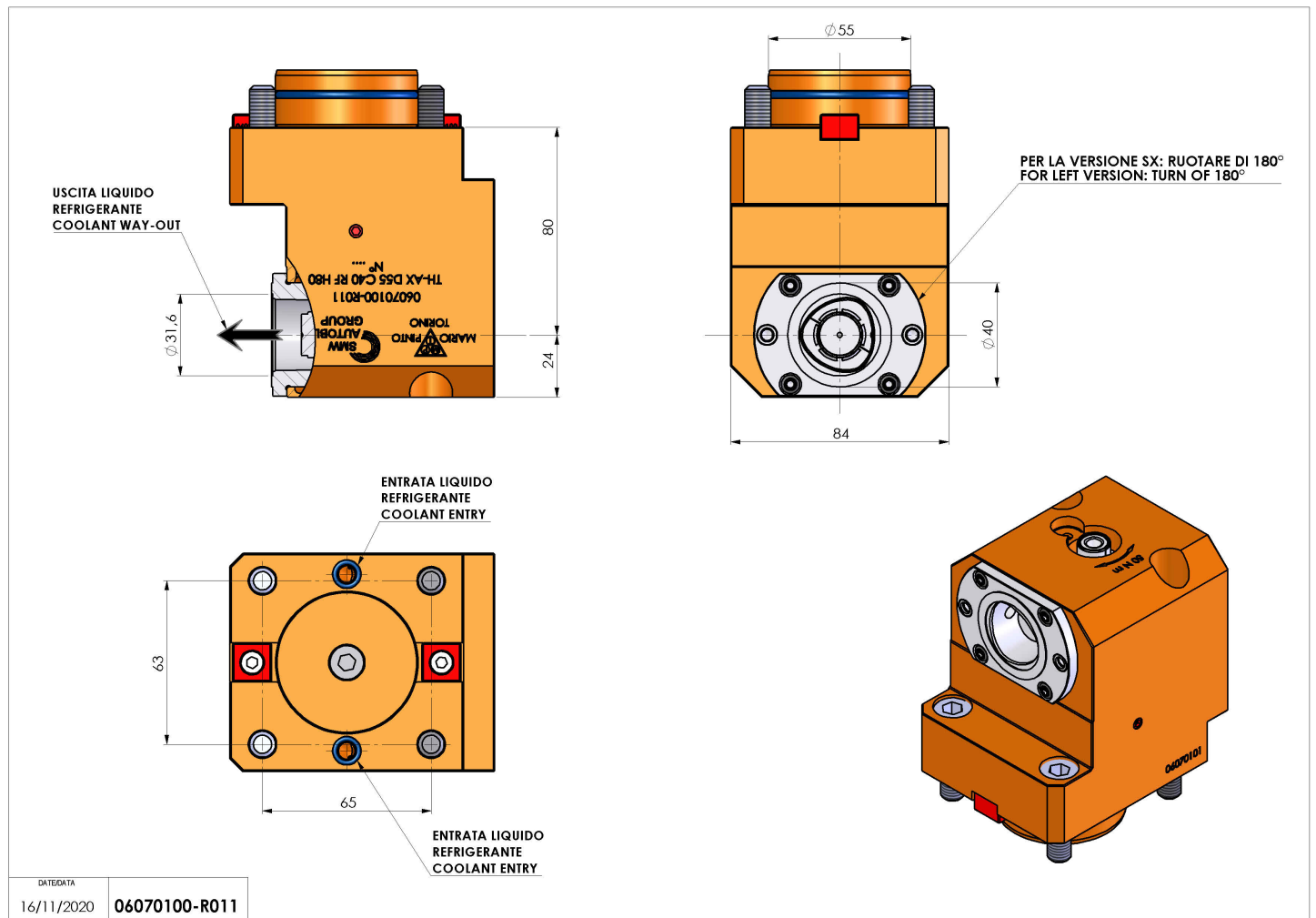
06070100 - TH-AX D55 C40 H80 RF

| | |
|-------------|---------------------------------|
| Type | TH-AX Axial Tool holder |
| Mounting | CYLINDRICAL SHANK 55 |
| Tool output | Polygonal shank C40 ISO 26623-1 |
| Coolant | Internal coolant |
| H [mm] | 80 |



| | |
|---------------|------|
| Accessories | N.A. |
| Notes | N.A. |
| Mounting tips | N.A. |

Always check live tool dimensions on the turret



Subject to technical changes