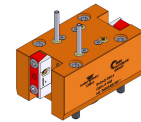


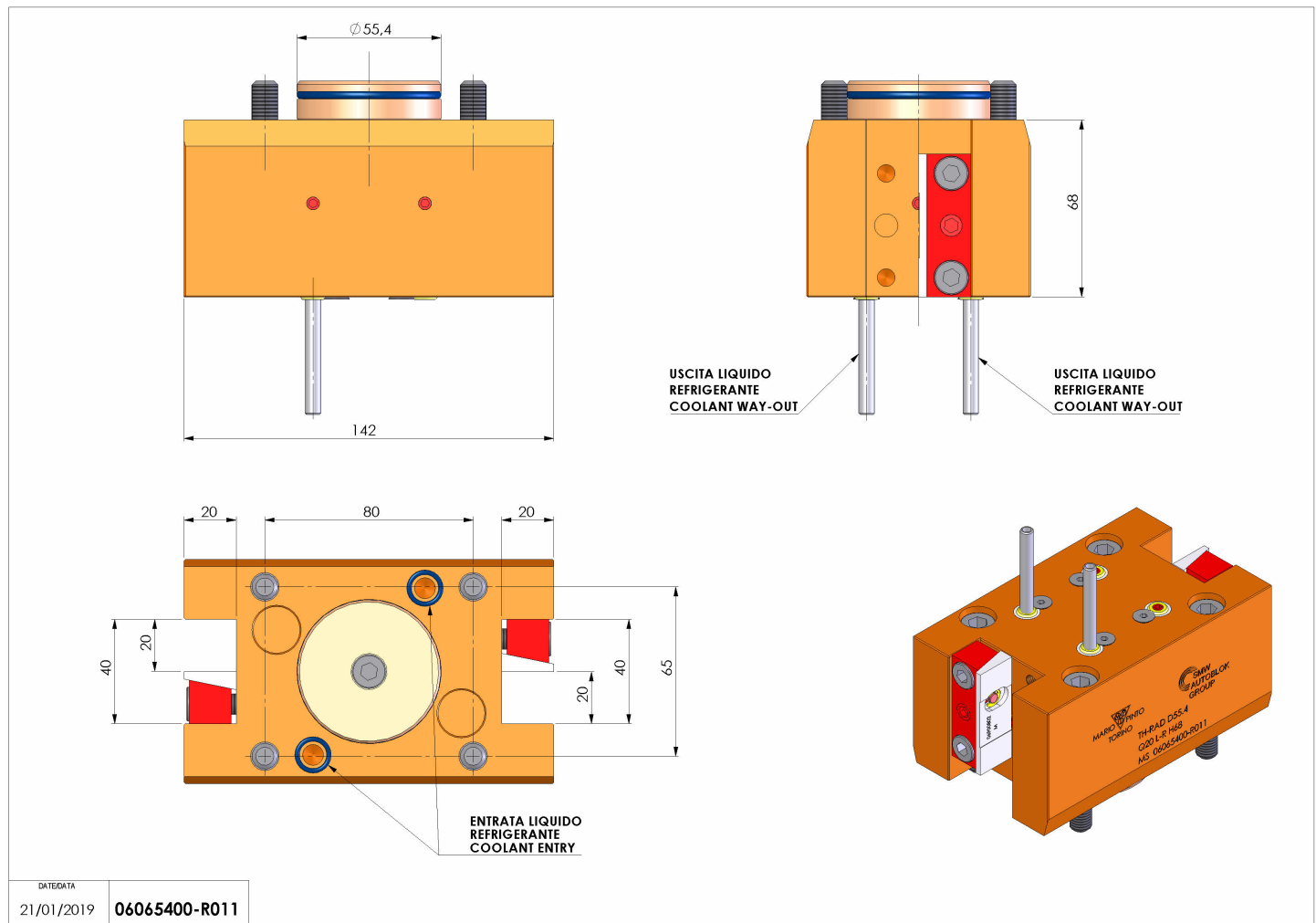
# 06065400 - TH-RAD D55.4 Q20 L-R H68

<b>Type</b>	TH-RAD Radial Tool holder
<b>Mounting</b>	CYLINDRICAL SHANK 55,4
<b>Tool output</b>	Radial Square Tool Holder 20x20
<b>Coolant</b>	External coolant
<b>H [mm]</b>	68



<b>Accessories</b>	N.A.
<b>Notes</b>	N.A.
<b>Mounting tips</b>	N.A.

Always check live tool dimensions on the turret



DATE/DATE	21/01/2019
06065400-R011	

Subject to technical changes