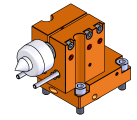


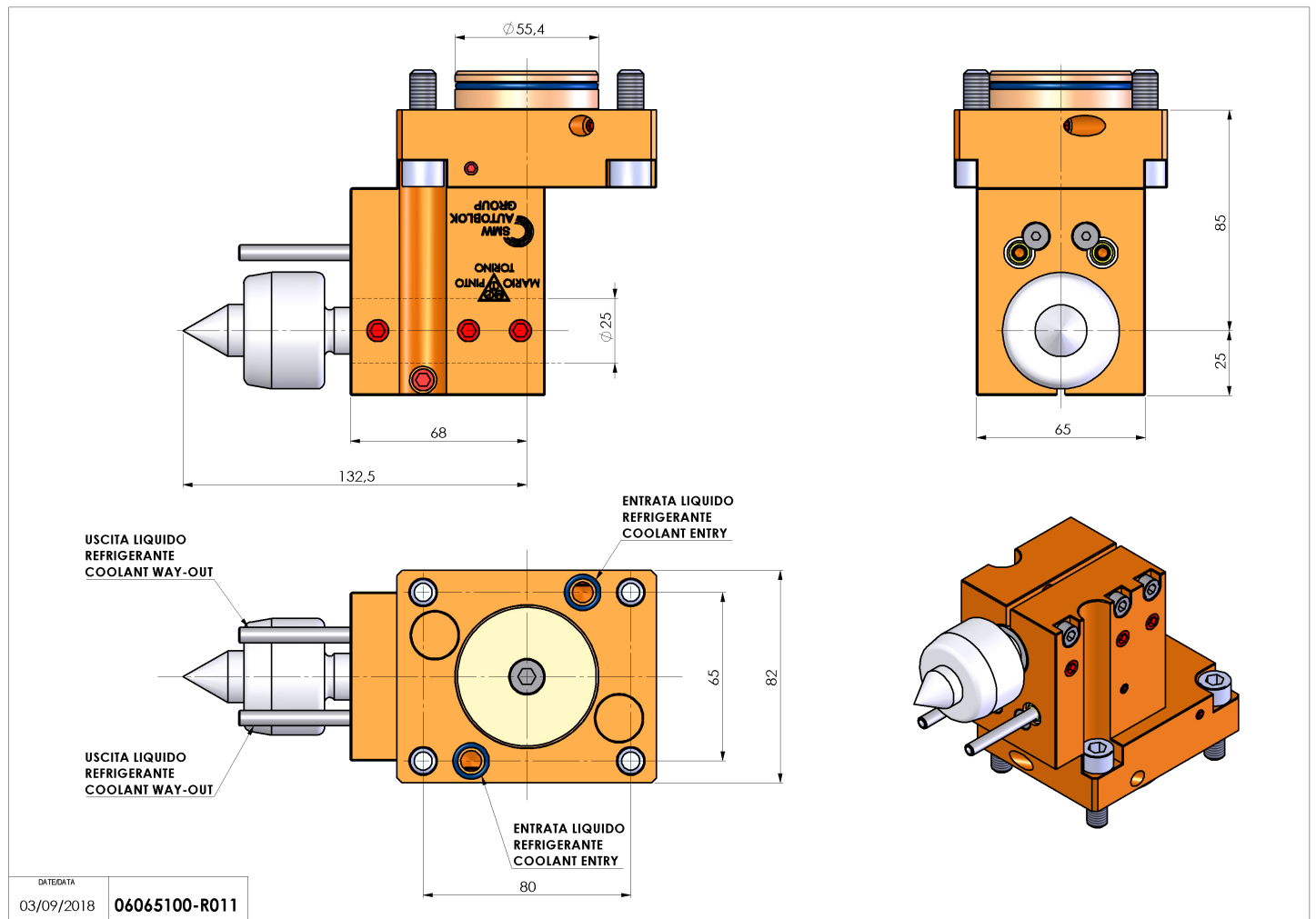
06065100 - TH-BRB D55.4 D25 CONTRP CM2H85

Type	TH-BRB Boring bar holder
Mounting	CYLINDRICAL SHANK 55,4
Tool output	Boring Bar Holder 25
Coolant	External / Internal coolant
H [mm]	85



Accessories	N.A.
Notes	N.A.
Mounting tips	N.A.

Always check live tool dimensions on the turret



DATE DATA
03/09/2018 **06065100-R011**

Subject to technical changes