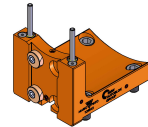


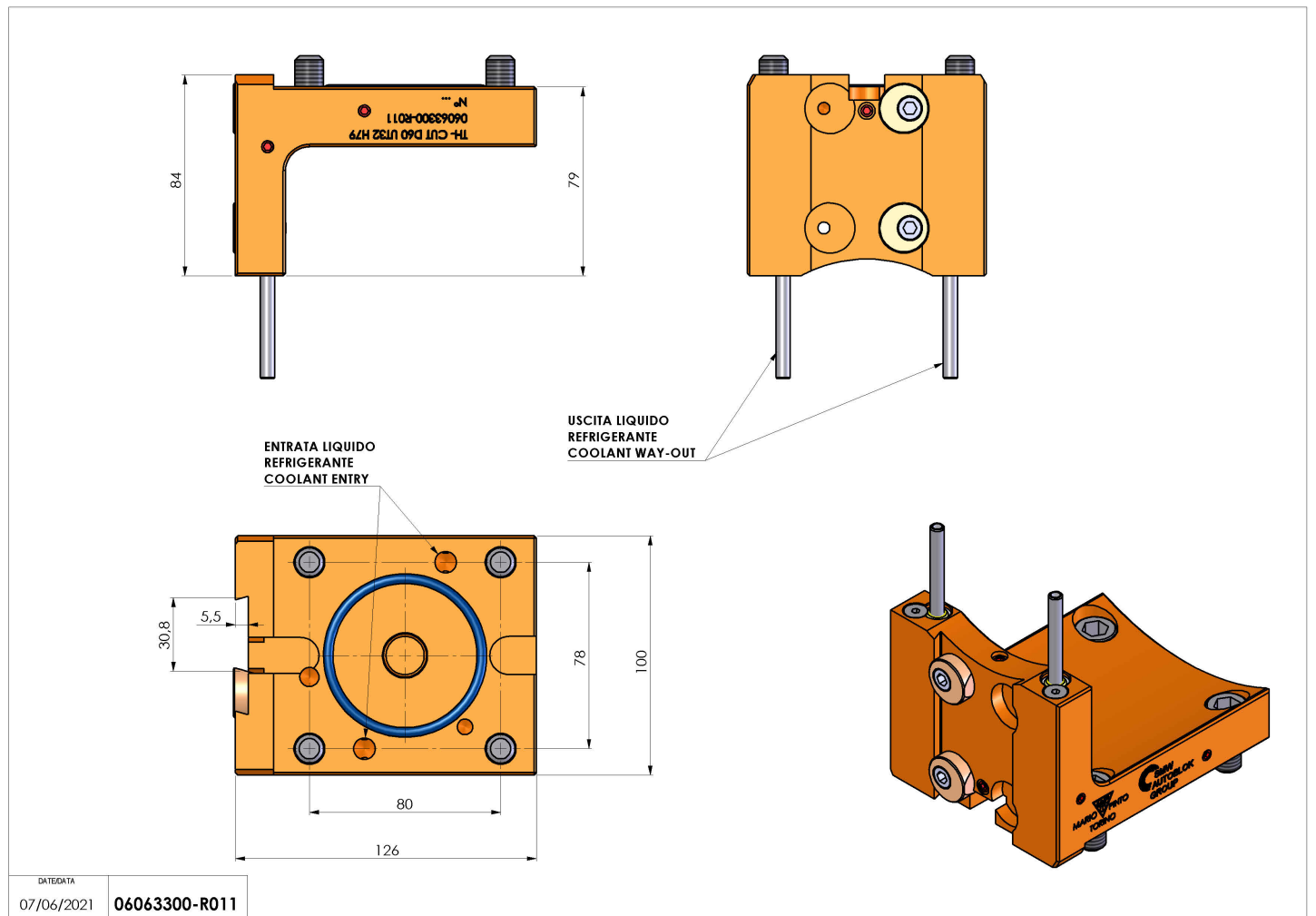
06063300 - TH-CUT D60 UT32 H79

Type	TH-CUT Cutting holder
Mounting	CYLINDRICAL SHANK 60
Tool output	Cut Off Holder 32
Coolant	External coolant
H [mm]	79



Accessories	N.A.
Notes	N.A.
Mounting tips	Main and secondary spindle

Always check live tool dimensions on the turret



Subject to technical changes