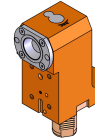


06059700 - TH-AX VDI40 C50 RF H140

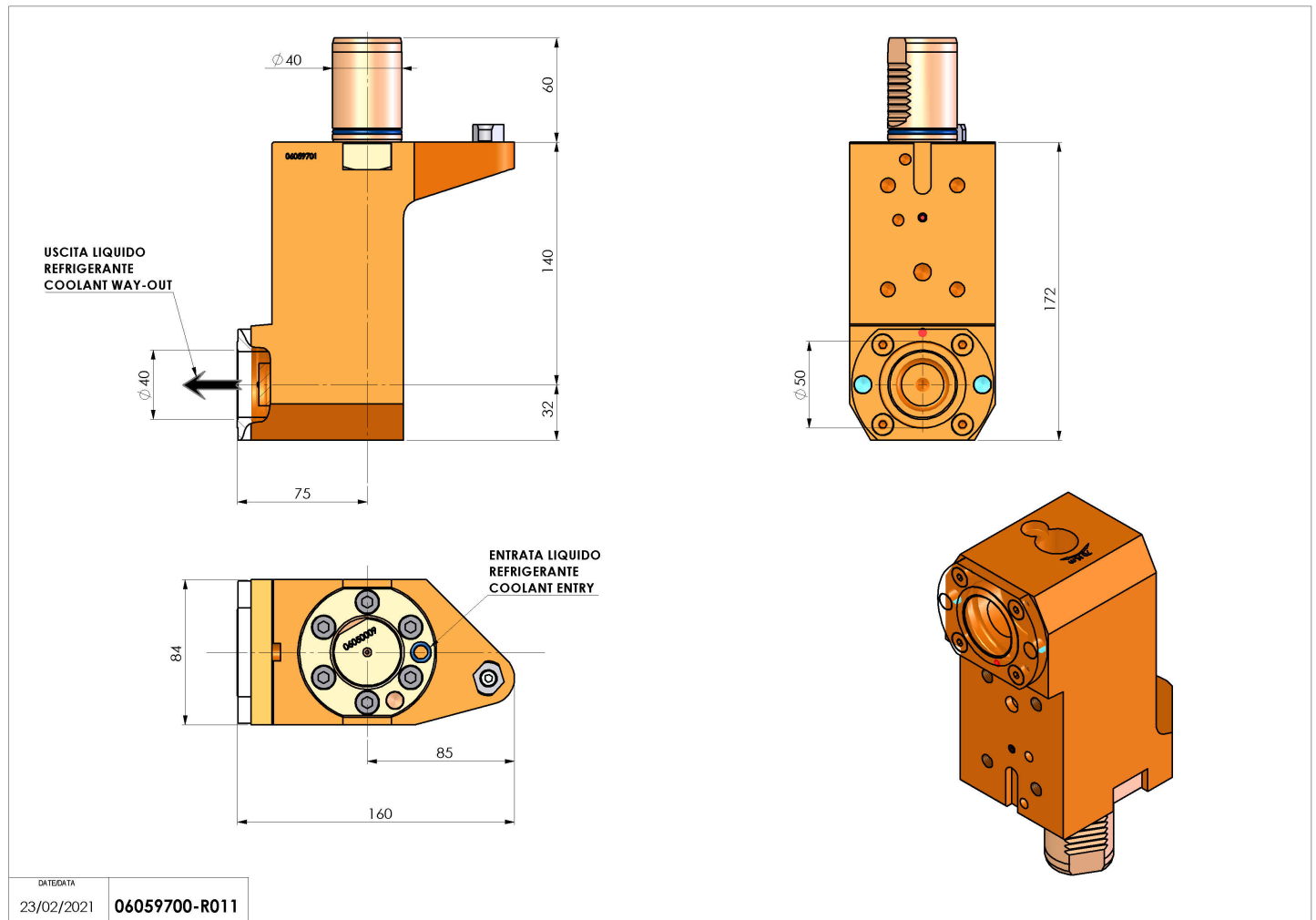
Type	TH-AX Axial Tool holder
Mounting	VDI 40
Tool output	Polygonal shank C50 ISO 26623-1
Coolant	Internal coolant
H [mm]	140



Accessories	N.A.
Notes	N.A.
Mounting tips	N.A.

ATTENTION: CHECK THE ORIENTATION OF THE VDI TEETH

Always check live tool dimensions on the turret



DATE/DATA	06059700-R011
23/02/2021	

Subject to technical changes