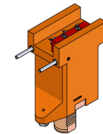


06057300 - TH-AX VDI40 H160 DX-SX MZ

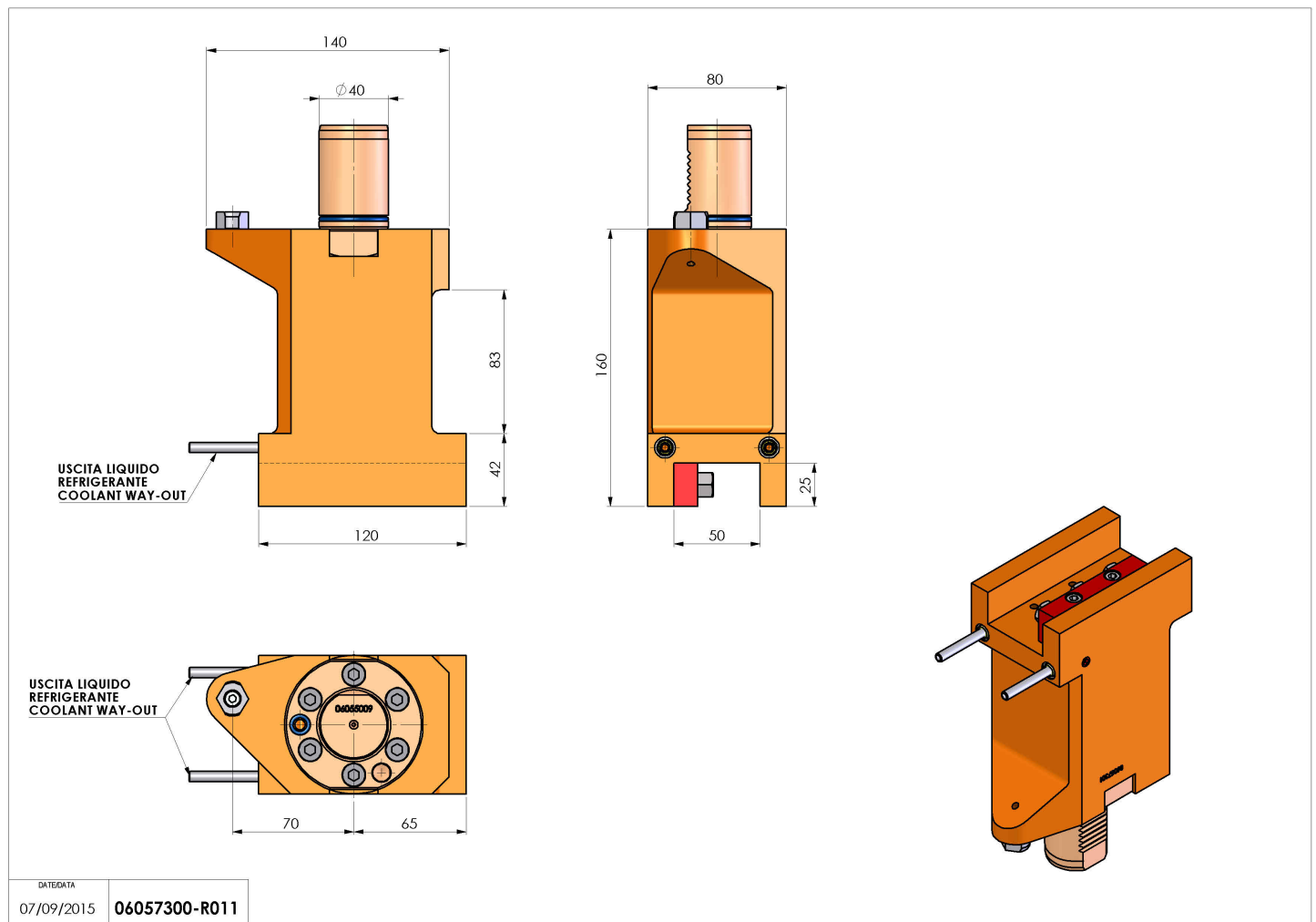
| | |
|-------------|--------------------------------|
| Type | TH-AX Axial Tool holder |
| Mounting | VDI 40 |
| Tool output | Axial Square Tool Holder 25x25 |
| Coolant | External coolant |
| H [mm] | 160 |



| | |
|---------------|------|
| Accessories | N.A. |
| Notes | N.A. |
| Mounting tips | N.A. |

ATTENTION: CHECK THE ORIENTATION OF THE VDI TEETH

Always check live tool dimensions on the turret



Subject to technical changes