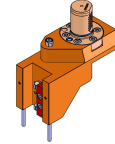


## 06056400 - TH-RAD VDI40 Q25 SS H122

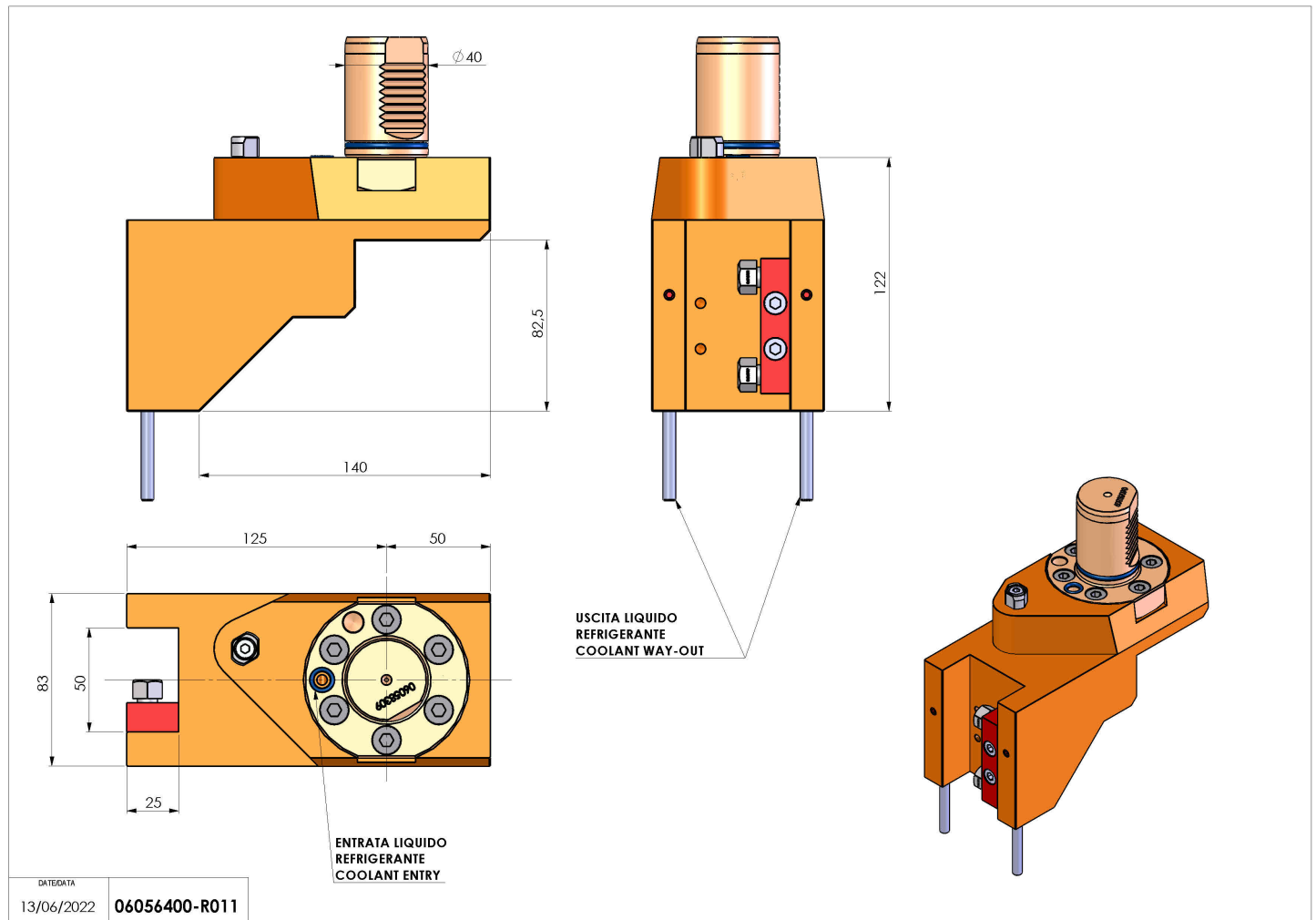
Type	TH-RAD Radial Tool holder
Mounting	VDI 40
Tool output	Radial Square Tool Holder 25x25
Coolant	External coolant
H [mm]	122



Accessories	N.A.
Notes	N.A.
Mounting tips	Secondary spindle only

**ATTENTION: CHECK THE ORIENTATION OF THE VDI TEETH**

Always check live tool dimensions on the turret



Subject to technical changes