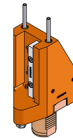


# 06056200 - TH-RAD VDI40 H140L45DX-SXOFSMZ

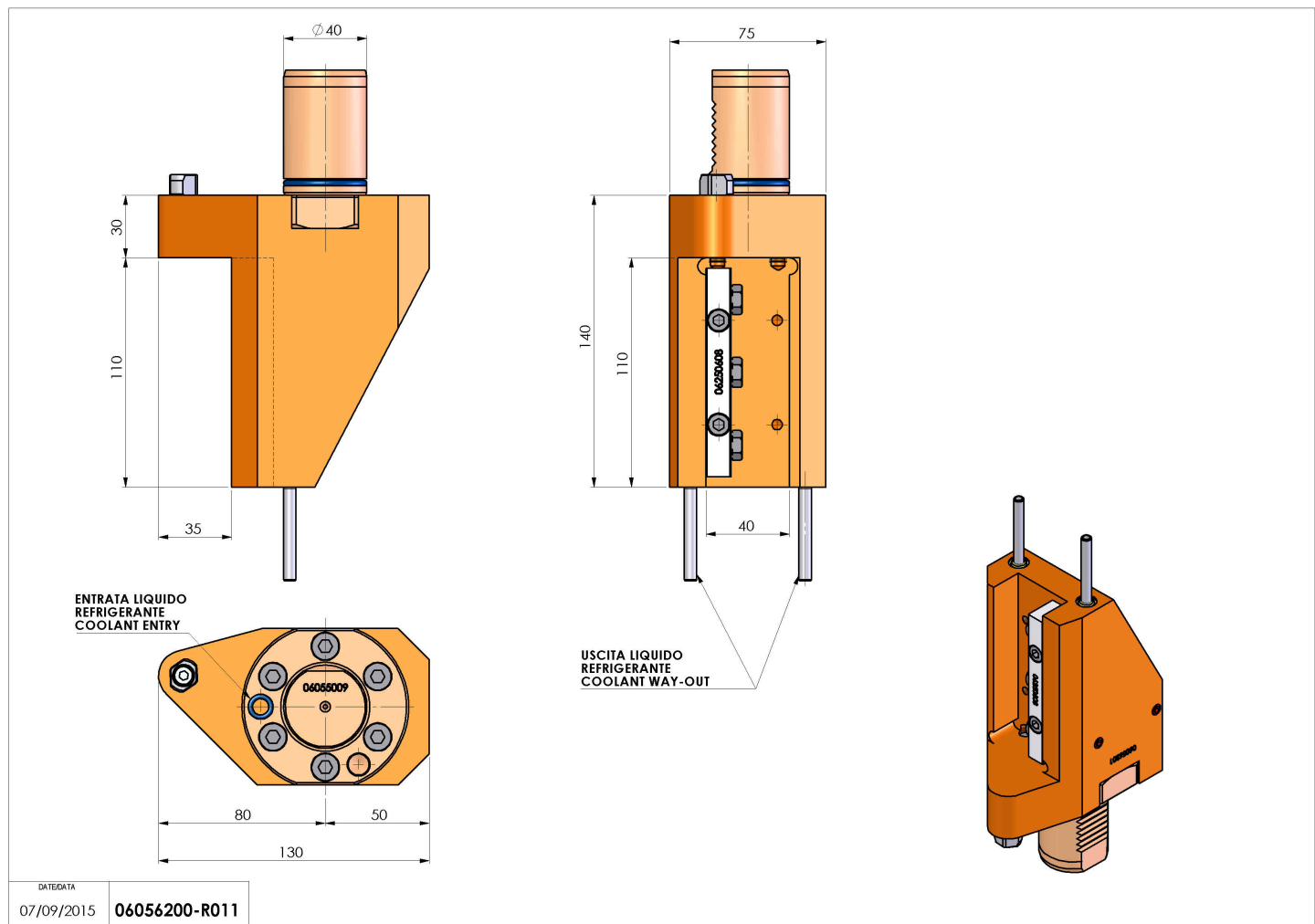
<b>Type</b>	TH-RAD Radial Tool holder
<b>Mounting</b>	VDI 40
<b>Tool output</b>	Radial Square Tool Holder 20x20
<b>Coolant</b>	External coolant
<b>H [mm]</b>	140



<b>Accessories</b>	N.A.
<b>Notes</b>	N.A.
<b>Mounting tips</b>	N.A.

**ATTENTION: CHECK THE ORIENTATION OF THE VDI TEETH**

Always check live tool dimensions on the turret



Subject to technical changes

DATE/DATA	07/09/2015
PART NUMBER	06056200-R011