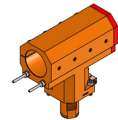


# 06054400 - TH-BRB VDI50 D80H155L240 RF MZ

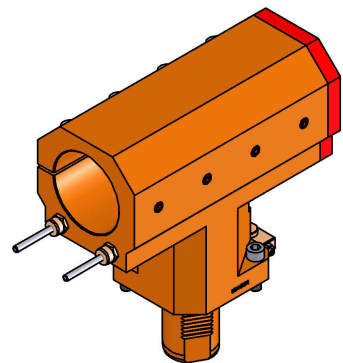
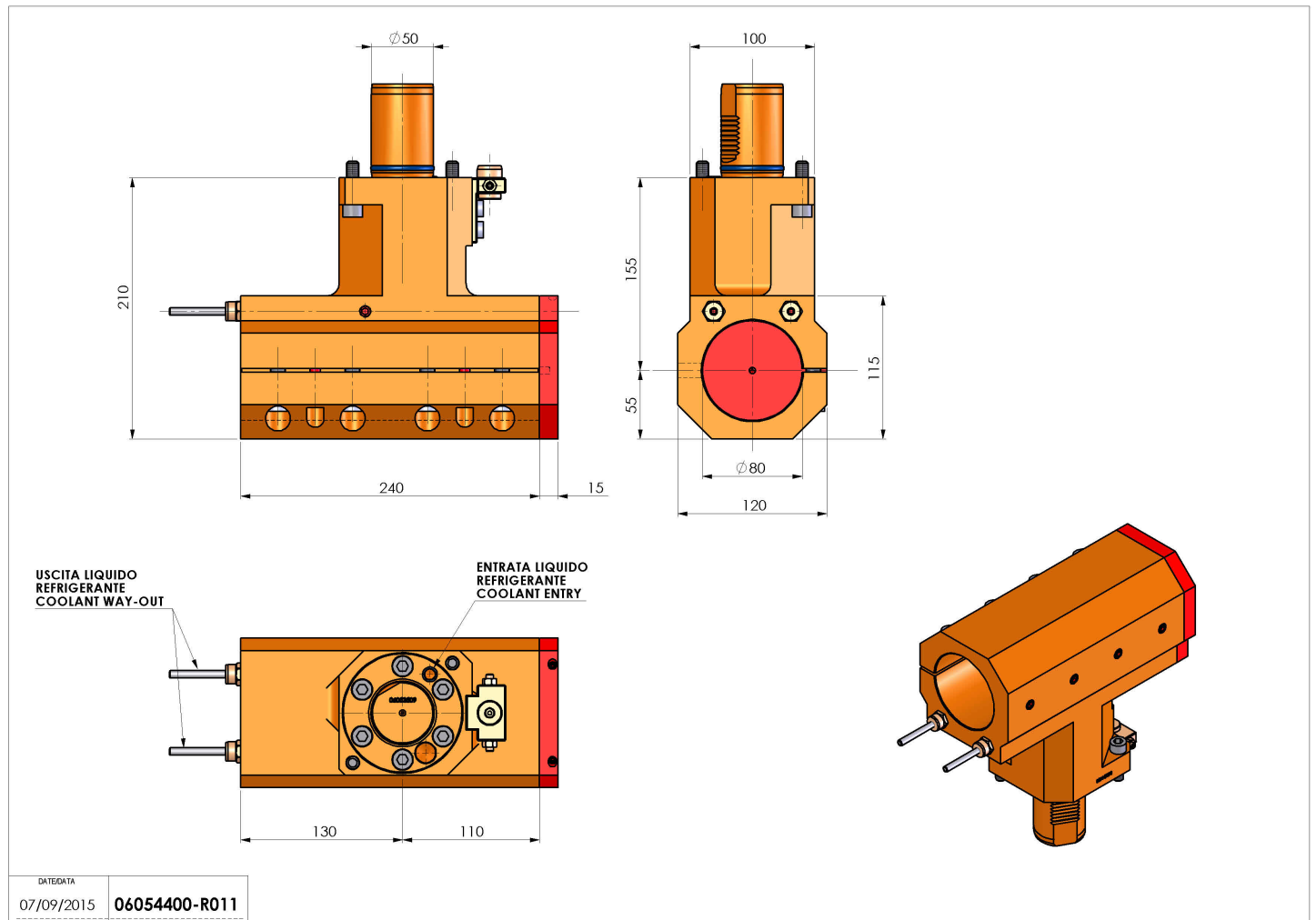
<b>Type</b>	TH-BRB Boring bar holder
<b>Mounting</b>	VDI 50
<b>Tool output</b>	Boring Bar Holder 80
<b>Coolant</b>	External / Internal coolant
<b>H [mm]</b>	155



<b>Accessories</b>	N.A.
<b>Notes</b>	N.A.
<b>Mounting tips</b>	N.A.

**ATTENTION: CHECK THE ORIENTATION OF THE VDI TEETH**

Always check live tool dimensions on the turret



Subject to technical changes

DATE/DATA	07/09/2015	06054400-R011
-----------	------------	---------------