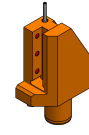


06054300 - TH-RAD VDI50 H160 L65 DX POST

Type	TH-RAD Radial Tool holder
Mounting	VDI 50
Tool output	Radial Square Tool Holder 25x25
Coolant	External coolant
H [mm]	160

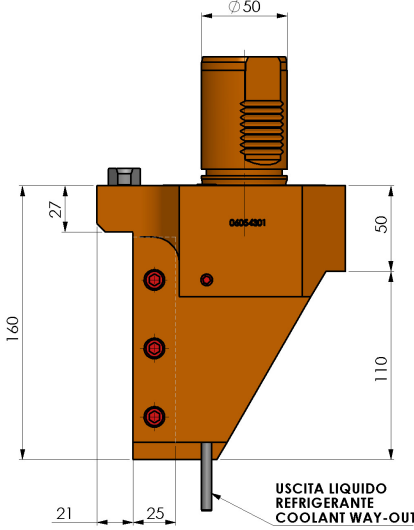


REPLACED BY 06054800

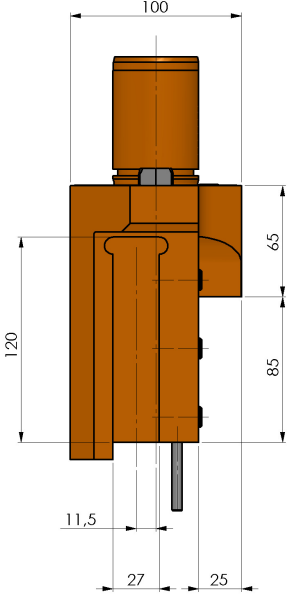
Accessories	N.A.
Notes	Soon out of stock. Replaced by cod. 06054800
Mounting tips	Secondary spindle only

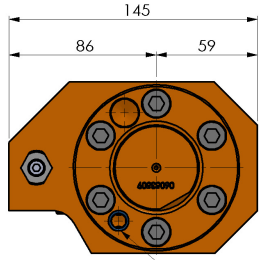
ATTENTION: CHECK THE ORIENTATION OF THE VDI TEETH

Always check live tool dimensions on the turret



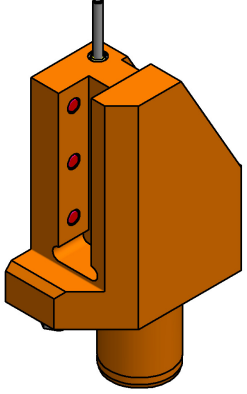
USCITA LIQUIDO
REFRIGERANTE
COOLANT WAY-OUT





ENTRATA LIQUIDO
REFRIGERANTE
COOLANT ENTRY

PRODOTTO SOSTITUITO DA 06054800
PRODUCT REPLACED BY 06054800



REPLACED BY 06054800

Subject to technical changes

DATE/DATA	29/05/2024	06054300-R011
-----------	------------	---------------