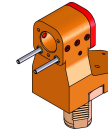


06051800 - TH-BRB VDI40 D32 H110DX-SXRFMZ

Type	TH-BRB Boring bar holder
Mounting	VDI 40
Tool output	Boring Bar Holder 32
Coolant	External / Internal coolant
H [mm]	110

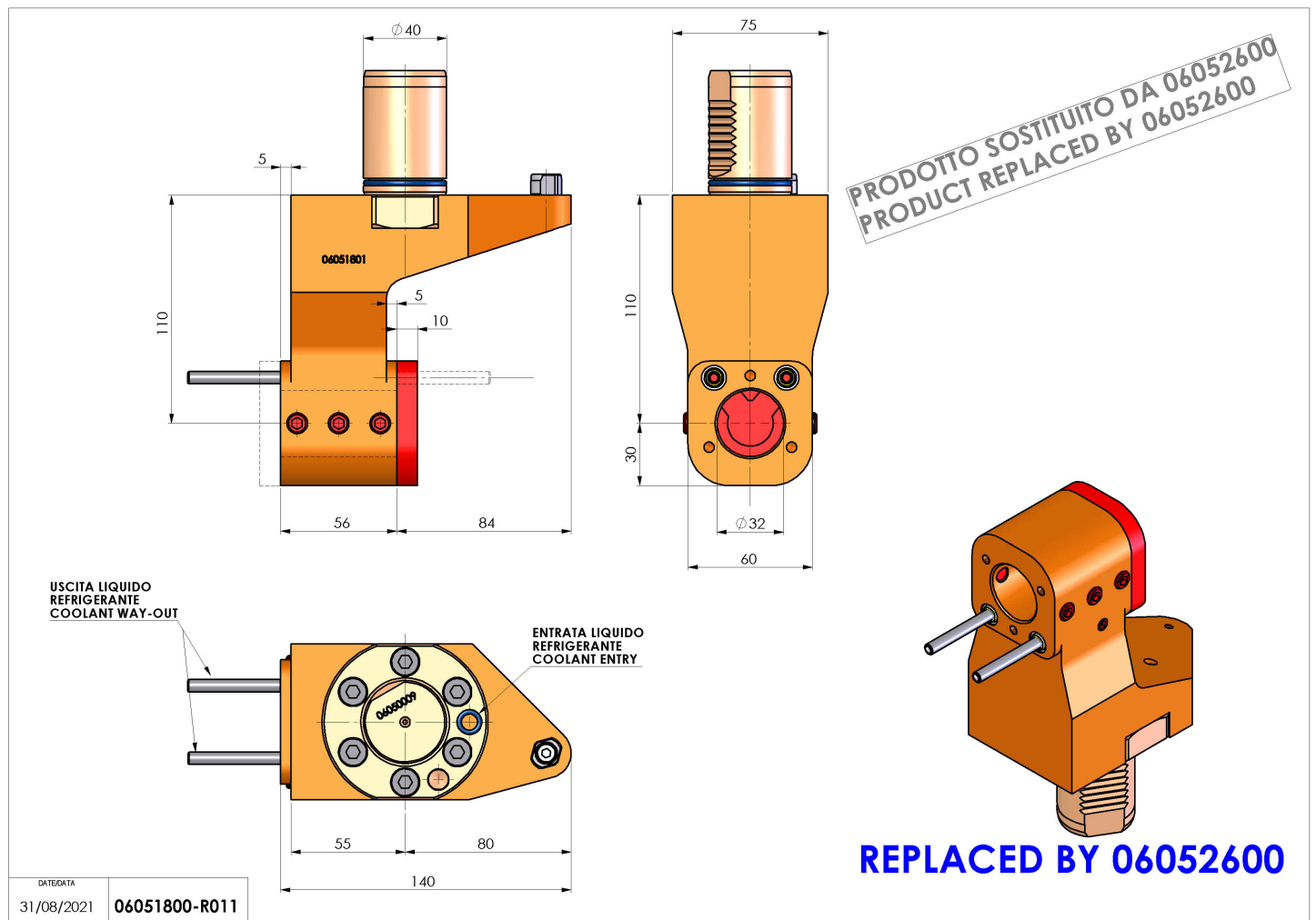


REPLACED BY 06052600

Accessories	N.A.
Notes	Soon out of stock. Replaced by cod. 06052600
Mounting tips	N.A.

ATTENTION: CHECK THE ORIENTATION OF THE VDI TEETH

Always check live tool dimensions on the turret



REPLACED BY 06052600

Subject to technical changes

DATE/DATE	06051800-R011
31/08/2021	