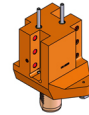


06051100 - TH-RAD VDI40 DP YH120L50/50 MZ

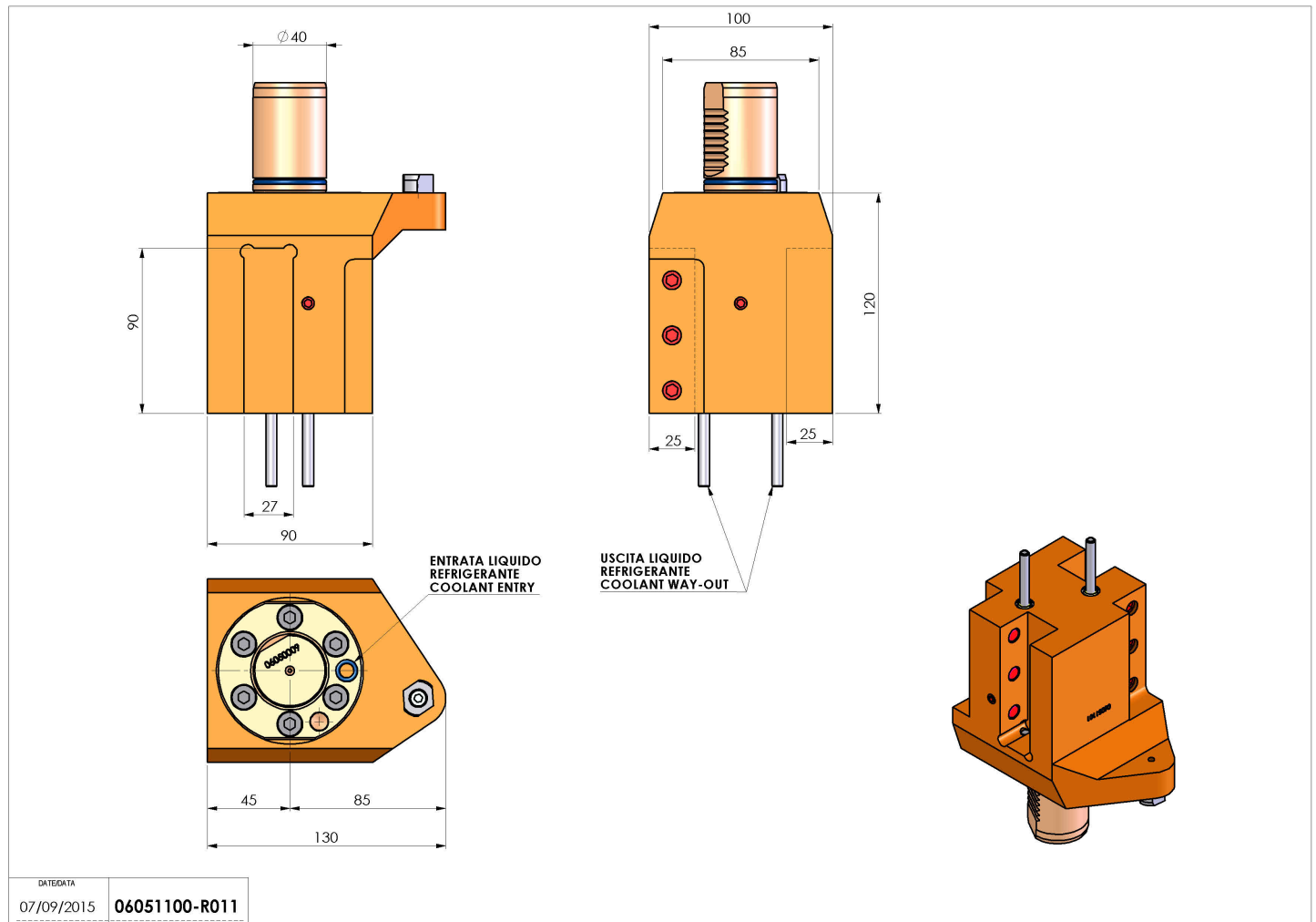
Type	TH-RAD Radial Tool holder
Mounting	VDI 40
Tool output	Radial Square Tool Holder 25x25
Coolant	External coolant
H [mm]	120



Accessories	N.A.
Notes	N.A.
Mounting tips	N.A.

ATTENTION: CHECK THE ORIENTATION OF THE VDI TEETH

Always check live tool dimensions on the turret



DATE/DATA
07/09/2015 06051100-R011

Subject to technical changes