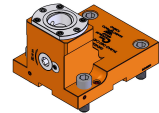


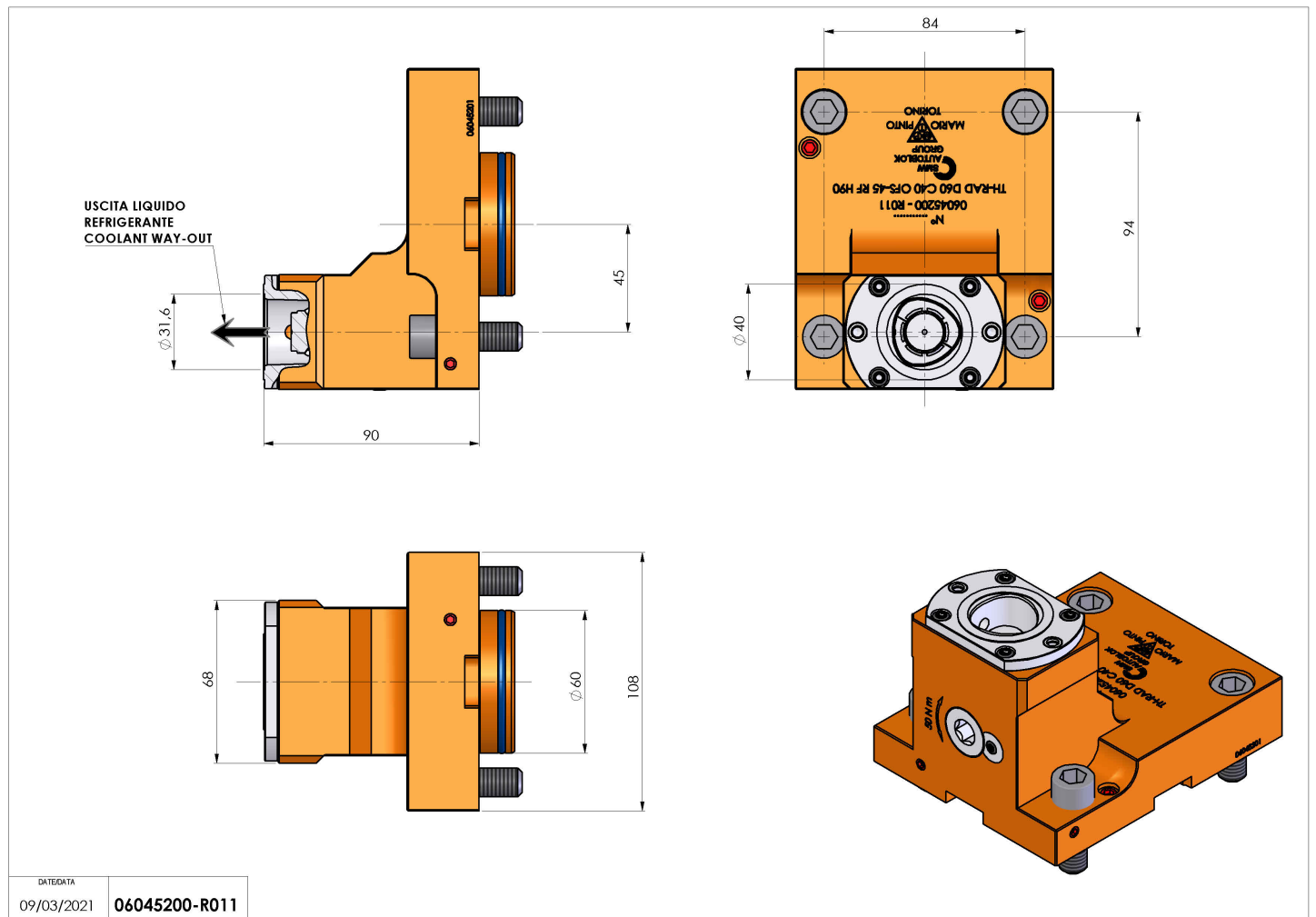
06045200 - TH-RAD D60 C40 OFS-45 RF H90

| | |
|-------------|---------------------------------|
| Type | TH-RAD Radial Tool holder |
| Mounting | CYLINDRICAL SHANK 60 |
| Tool output | Polygonal shank C40 ISO 26623-1 |
| Coolant | Internal coolant |
| H [mm] | 90 |



| | |
|---------------|------|
| Accessories | N.A. |
| Notes | N.A. |
| Mounting tips | N.A. |

Always check live tool dimensions on the turret



| | |
|-----------|---------------|
| DATE/DATE | 09/03/2021 |
| | 06045200-R011 |

Subject to technical changes